



PREMIUM QUALITY, LOW-PRESSURE ULTRAVIOLET

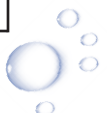
○ Aquionics PROLINE series of low-pressure ultraviolet treatment equipment delivers the highest quality and most reliable □ performance available. High strength stainless steel treatment chambers with high-purity finishes, raised-face flange or sanitary fittings, remote mounted power/control systems, sample/drain ports, and more advanced controls and monitoring are just some of the features. The PROLINE range is your best choice for low-pressure □ UV applications where quality and reliability need to be built-in.

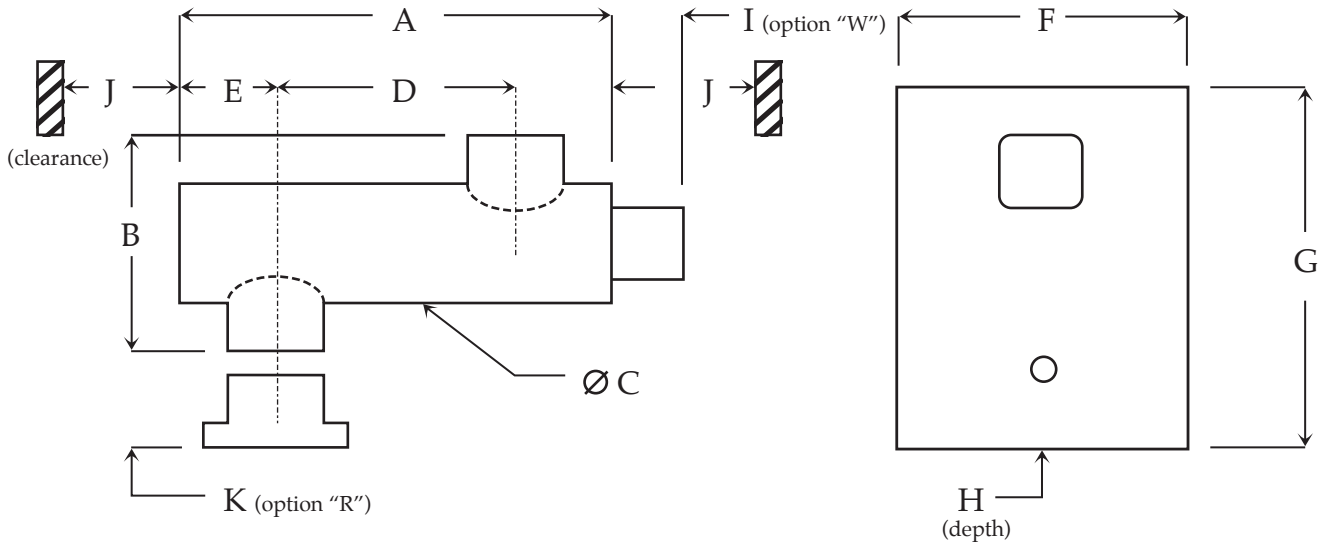


- The premium quality UV systems for low-flow, low-dose disinfection and other applications.
- Our highest quality, low-pressure lamps.
- Non-chemical disinfection for flow rates up to □ 640 gpm.
- Heavy duty, durable systems with 316L stainless steel □ construction with passivated and electropolished high-purity finishes up to Ra25.
- Sanitary or Raised Face Flange fittings available.
- Sample/Drain Ports with sanitary fittings.
- Available features include: UV monitor with alarms, □ quartz sleeve cleaning mechanism, mounting brackets, □ and high purity finishing (< Ra25).

○ GENERAL SPECIFICATIONS

Chamber Material	316L Stainless Steel	Power Cabinet Material	Epoxy Coated Steel	
Environmental Protection	NEMA 12	Electrical Supply	220V, 60Hz, Single Phase	
Max. Pressure, Operational	100 psi	Standard Features	Hour Meter, Lamp Indicator & Alarms	
Max. Pressure, Test	150 psi		Sample/Drain Ports	
Max. Pressure Drop	<1 psi at full flow		Optional Features	UV Monitor with Alarm Indicators
Fitting Type	Sanitary or Raised Face Flange			< Ra25 High Purity Finish
			Quartz Sleeve Cleaning Device	
			Chamber Mounting Brackets	





PRODUCT SPECIFICATIONS

Model Number	Max. Flow, Fresh Water* (gpm)	Max. Flow, RO/DI Water* (gpm)	Fitting Size (inch)	UV Lamps (qty. – power)	Power Supply (watts)	Chamber Empty (pounds)	Chamber Full (pounds)	Cabinet (pounds)
FS1-42	18	20	2	1 – 42W	60	22	40	22
FS1-80	36	40	2	1 – 80W	100	22	40	22
FS2-80	67	80	3	2 – 80W	200	22	40	22
GS3-80	165	200	3	3 – 80W	300	77	132	31
GS4-80	215	260	3	4 – 80W	400	77	132	35
GS5-80	260	305	3	5 – 80W	500	77	132	40
GS6-80	305	370	3	6 – 80W	600	77	132	44
LS6-80	410	485	4	6 – 80W	600	188	298	44
LS8-80	540	640	4	8 – 80W	800	188	298	53

* Flows rated at disinfection dose of 30mJ/cm², end-of-lamp life at 8,000 hours; Fresh Water @ T40 = 80%, RO/DI Water @ T40 = 95%.

Model Number	A	B	C	D	E	F	G	H	I	J	K
(dimensions in inches)											
FS1-42	36.0	9.1	4.3	28.1	2.4	15.0	23.6	8.3	4.25	36	2.63
FS1-80	36.0	9.1	4.3	28.1	2.4	15.0	23.6	8.3	4.25	36	2.63
FS2-80	36.0	9.1	4.3	28.1	2.4	15.0	23.6	8.3	4.25	36	2.78
GS3-80	39.0	17.3	7.9	24.4	5.3	15.0	23.6	8.3	4.25	36	2.78
GS4-80	39.0	17.3	7.9	24.4	5.3	23.6	23.6	8.3	4.25	36	2.78
GS5-80	39.0	17.3	7.9	24.4	5.3	23.6	23.6	8.3	4.25	36	2.63
GS6-80	39.0	17.3	7.9	24.4	5.3	23.6	23.6	8.3	4.25	36	2.63
LS6-80	39.0	29.5	13.8	23.6	5.7	23.6	23.6	8.3	4.25	36	2.63
LS8-80	39.0	29.5	13.8	23.6	5.7	23.6	23.6	8.3	4.25	36	2.63

AVAILABLE OPTIONS

Option Code	Description
U	UV Monitor, measures relative UV lamp intensity
F	Electropolished and passivated, < Ra25 Chamber Finish for high-purity applications
R	Raised Face Flange with ANSI bolt pattern
W	Quartz Sleeve Cleaning Device for poor water quality conditions, manually operated
M	Chamber Mounting Brackets for easy attachment to skids and supports

Note: See Products & Services Section for additional parts, installation, service, and options.