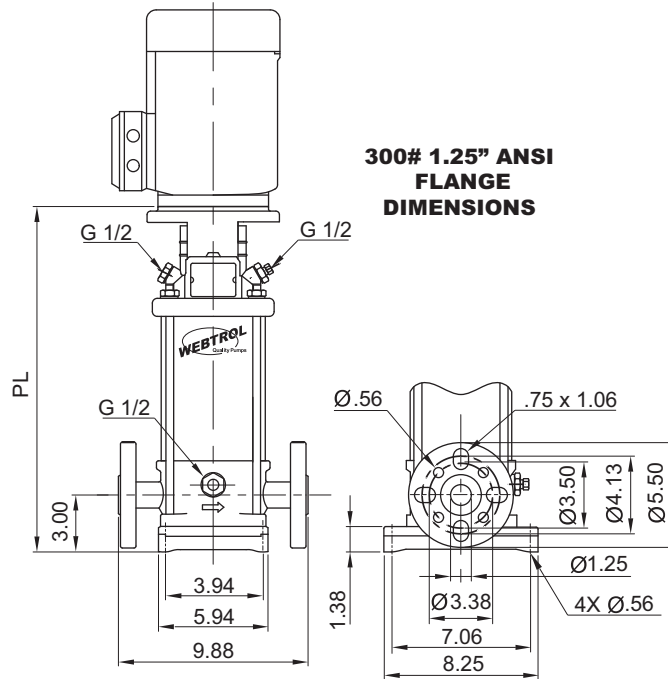




There when you need us most

## NV6 Vertical Multistage Pump Dimensions



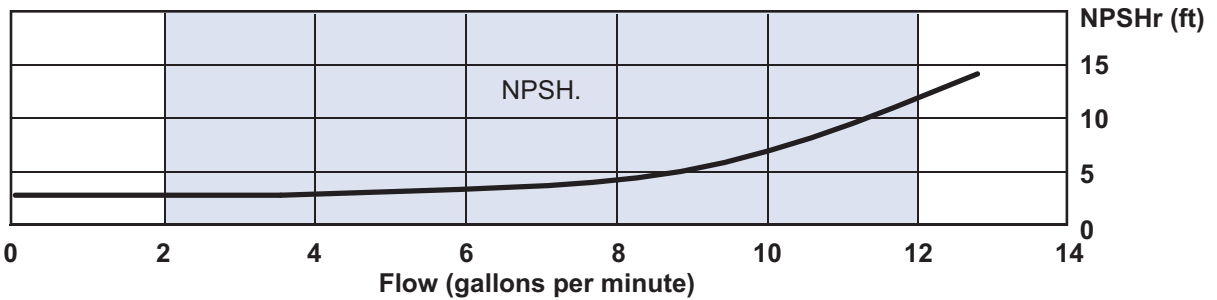
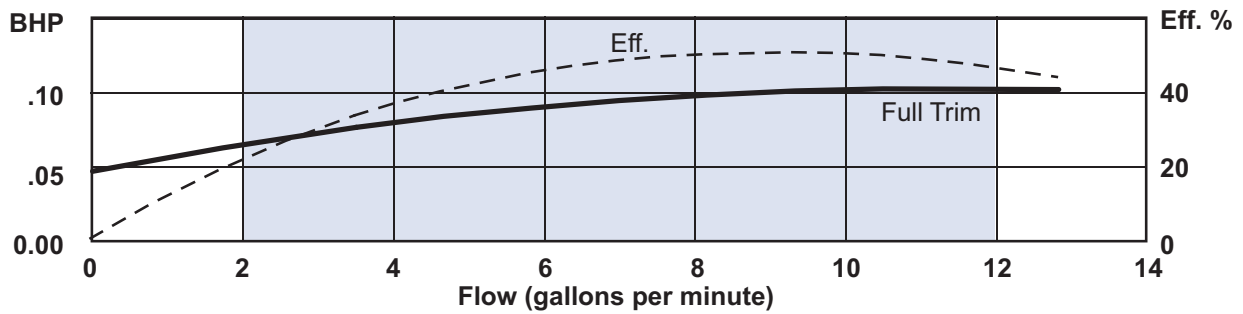
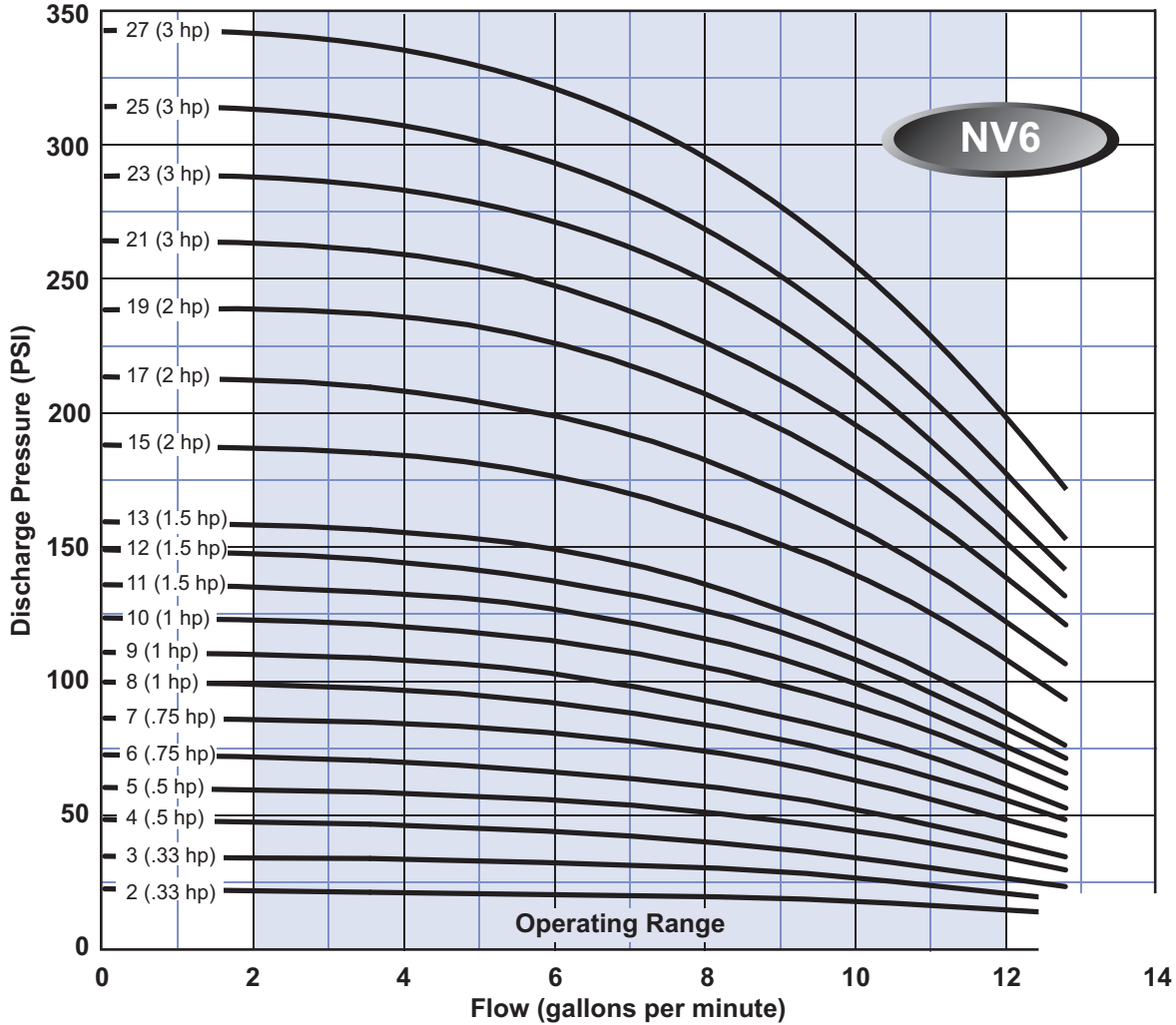
**NOTES:** All dimensions are in inches unless otherwise noted. Please contact factory for specific motor manufacturer dimensions

Model	HP	Motor Frame	Pump Length (PL) - Inches	Pump End Weight - lbs
NV6B2	.33	56C	12.05	31
NV6B3	.33	56C	12.05	31
NV6B4	.5	56C	12.76	32
NV6B5	.5	56C	13.46	32
NV6B6	.75	56C	14.17	33
NV6B7	.75	56C	14.84	34
NV6B8	1	56C	15.55	35
NV6B9	1	56C	16.26	35
NV6B10	1	56C	16.97	36
NV6B11	1.5	56C	17.68	37
NV6B12	1.5	56C	18.39	38
NV6B13	1.5	56C	19.09	39
NV6B15	2	56C	20.55	41
NV6B17	2	56C	21.97	43
NV6B19	2	56C	24.31	49
NV6B21	3	182TC	25.73	51
NV6B23	3	182TC	27.15	53
NV6B25	3	182TC	28.56	54
NV6B27	3	182TC	29.98	56



There when you need us most

## NV6 Vertical Multistage Pump Group Curves

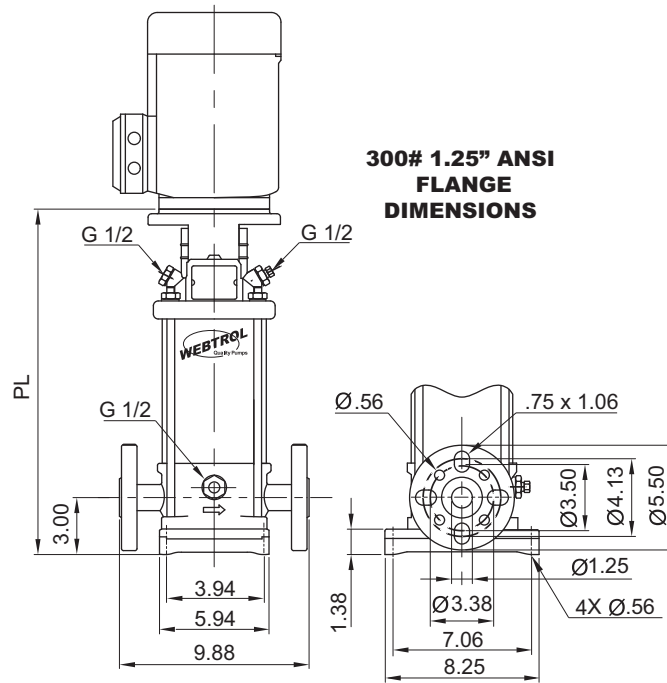


Note:  
Curves are based on 60 Hz 3450 rpm motors. 50 Hz 2875 rpm curves are available. These curves are for general guidance only, individual pump curves are available upon request. A certified curve may be requested for an additional cost. Webtrol will build pumps to fit your specific needs, contact factory for pricing.



There when you need us most

## NV12 Vertical Multistage Pump Dimensions



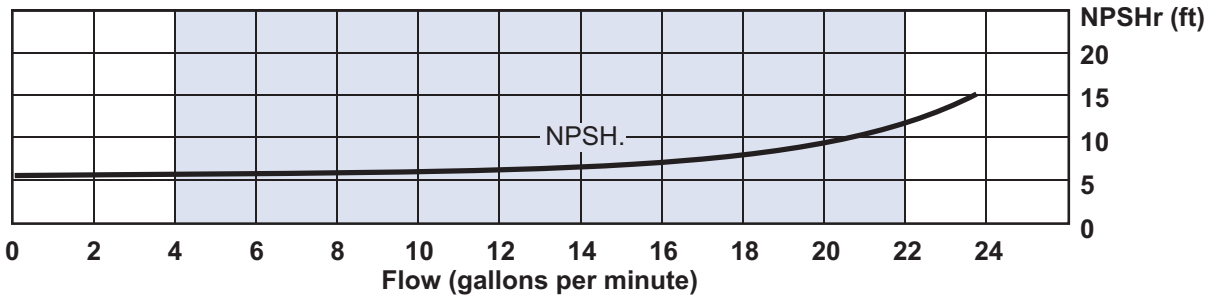
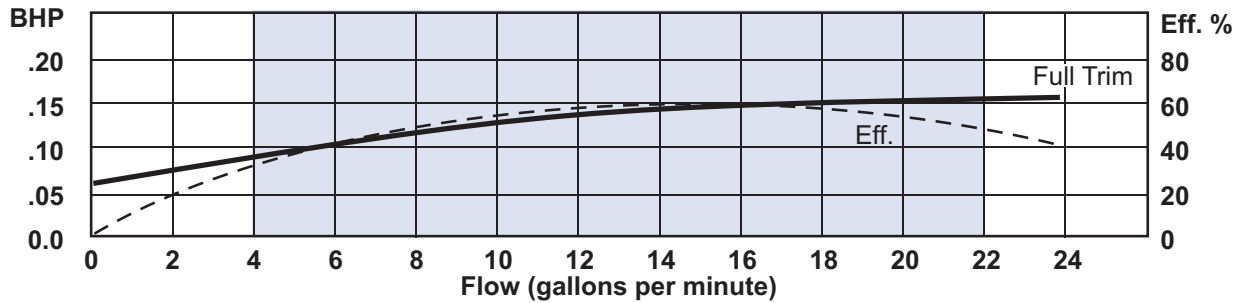
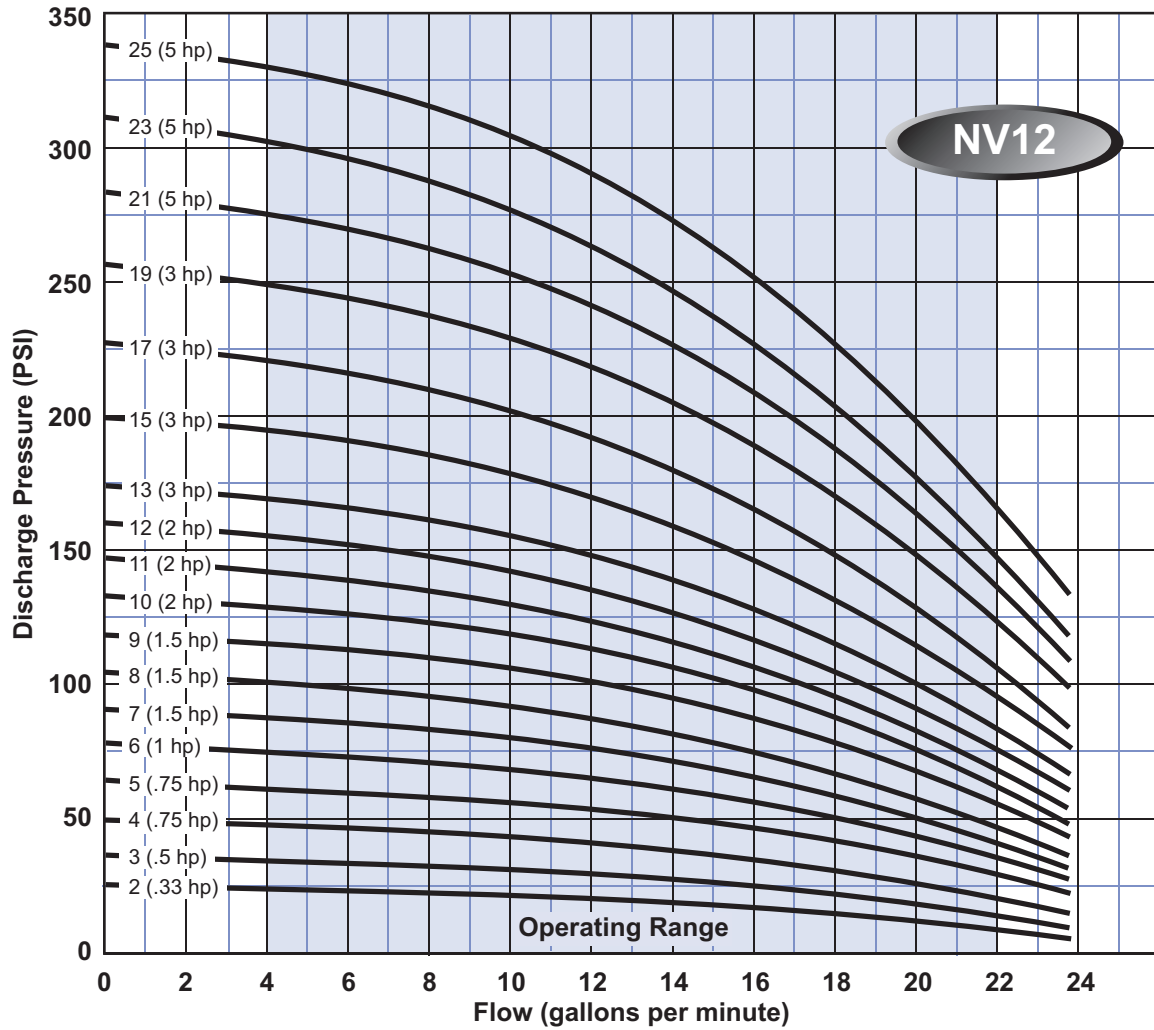
**NOTES:** All dimensions are in inches unless otherwise noted. Please contact factory for specific motor manufacturer dimensions

Model	HP	Motor Frame	Pump Length (PL) - Inches	Pump End Weight - lbs.
NV12B2	.33	56C	12.05	33
NV12B3	.5	56C	12.05	34
NV12B4	.75	56C	12.76	34
NV12B5	.75	56C	13.43	35
NV12B6	1	56C	14.13	36
NV12B7	1.5	56C	14.84	37
NV12B8	1.5	56C	15.55	37
NV12B9	1.5	56C	16.30	38
NV12B10	2	56C	17.01	40
NV12B11	2	56C	17.72	41
NV12B12	2	56C	18.43	42
NV12B13	3	182TC	20.06	47
NV12B15	3	182TC	21.48	49
NV12B17	3	182TC	22.89	51
NV12B19	3	182TC	24.31	52
NV12B21	5	182TC	25.73	54
NV12B23	5	182TC	27.15	55
NV12B25	5	182TC	28.56	57



There when you need us most

## NV12 Vertical Multistage Pump Group Curves

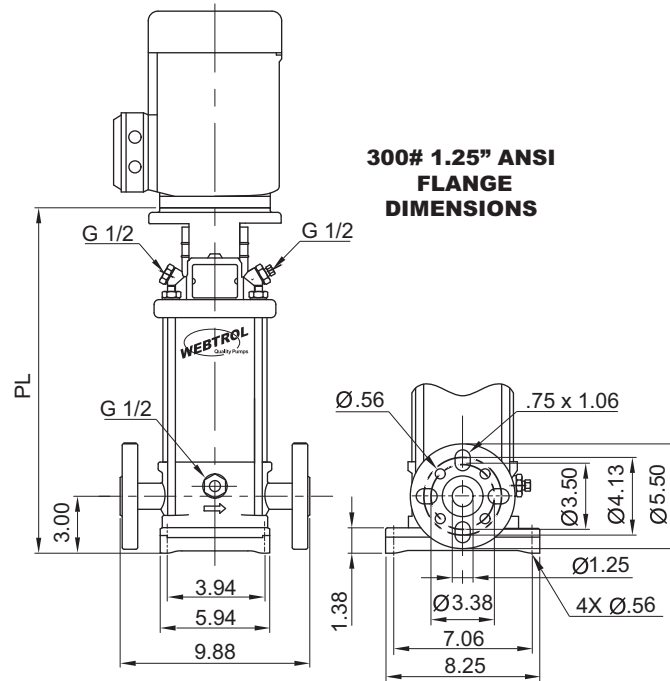


Note:  
Curves are based on 60 Hz 3450 rpm motors. 50 Hz 2875 rpm curves are available. These curves are for general guidance only, individual pump curves are available upon request. A certified curve may be requested for an additional cost. Webtrol will build pumps to fit your specific needs, contact factory for pricing.



There when you need us most

## NV25 Vertical Multistage Pump Dimensions



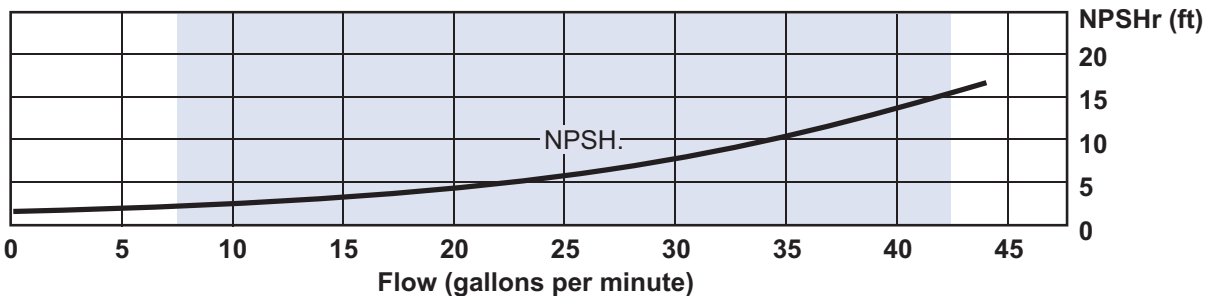
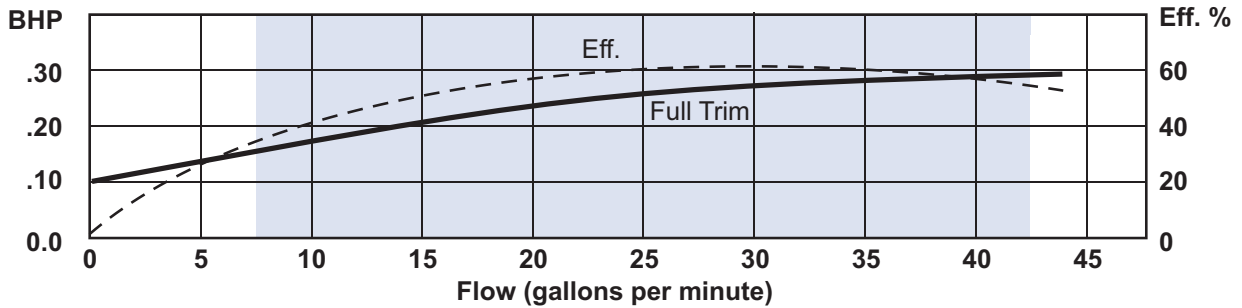
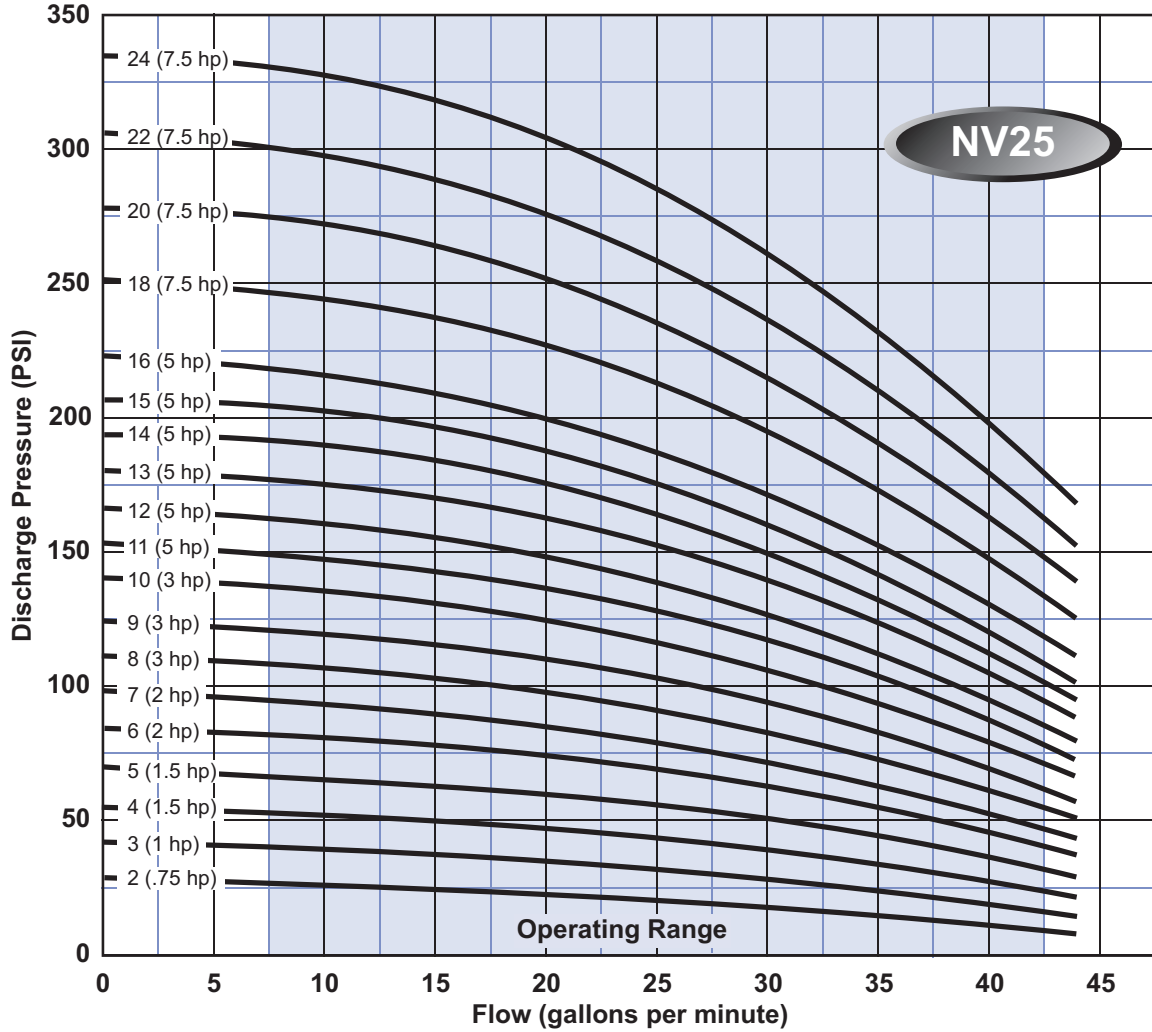
**NOTES:** All dimensions are in inches unless otherwise noted. Please contact factory for specific motor manufacturer dimensions

Model	HP	Motor Frame	Pump Length (PL) - Inches	Pump End Weight - lbs.
NV25B2	.75	56C	11.93	33
NV25B3	1	56C	13.10	35
NV25B4	1.5	56C	14.06	36
NV25B5	1.5	56C	15.12	38
NV25B6	2	56C	16.28	39
NV25B7	2	56C	18.29	45
NV25B8	3	182TC	19.35	46
NV25B9	3	182TC	20.31	47
NV25B10	3	182TC	21.44	49
NV25B11	5	182TC	22.50	50
NV25B12	5	182TC	23.56	51
NV25B13	5	182TC	24.63	52
NV25B14	5	182TC	25.69	53
NV25B15	5	182TC	26.75	54
NV25B16	5	182TC	27.82	56
NV25B18	7.5	213TC	30.57	63
NV25B20	7.5	213TC	32.70	66
NV25B22	7.5	213TC	34.72	68
NV25B24	7.5	213TC	36.85	70



There when you need us most

## NV25 Vertical Multistage Pump Group Curves



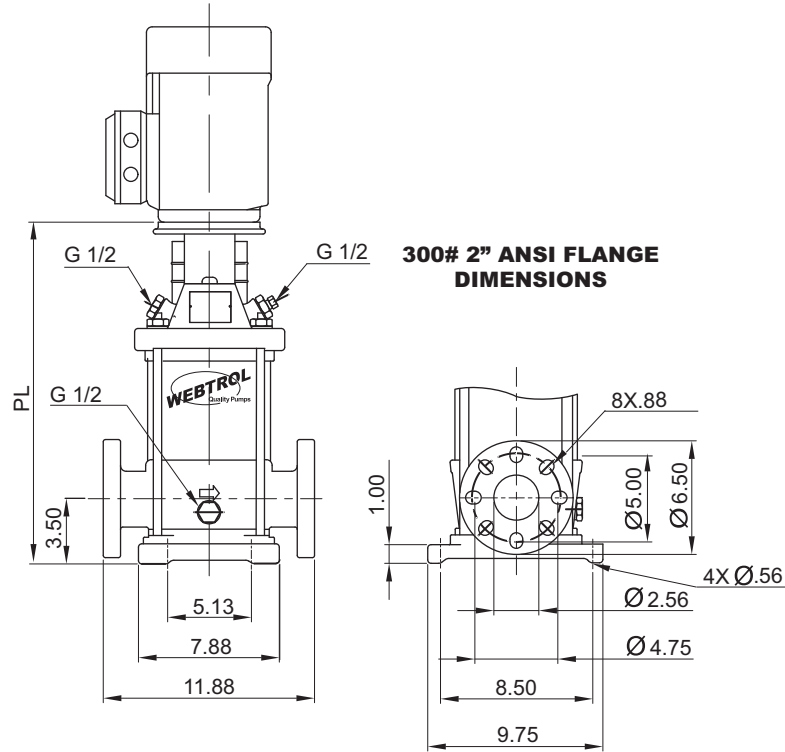
Note:

Curves are based on 60 Hz 3450 rpm motors. 50 Hz 2875 rpm curves are available. These curves are for general guidance only, individual pump curves are available upon request. A certified curve may be requested for an additional cost. Webtrol will build pumps to fit your specific needs, contact factory for pricing.



There when you need us most

## NV45 Vertical Multistage Pump Dimensions



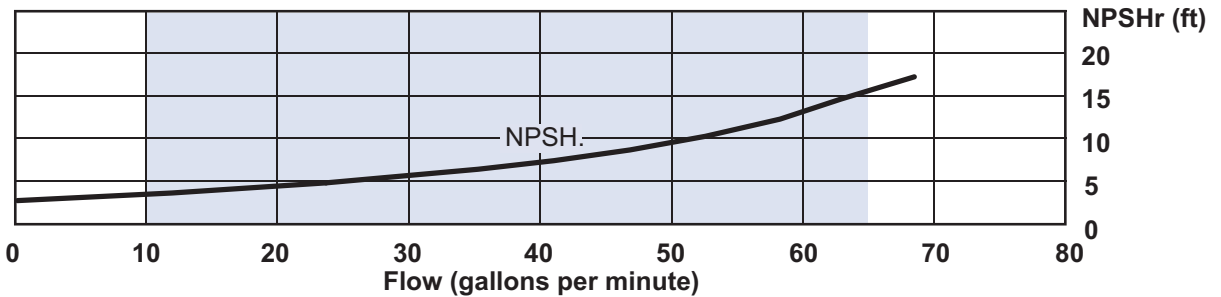
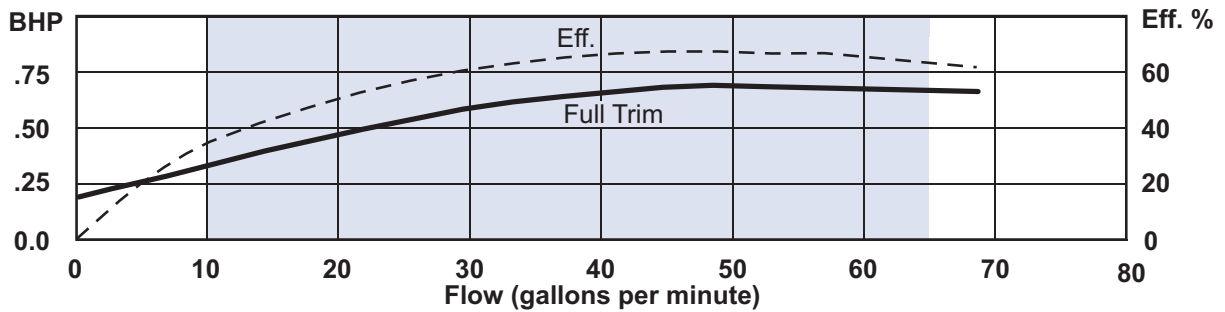
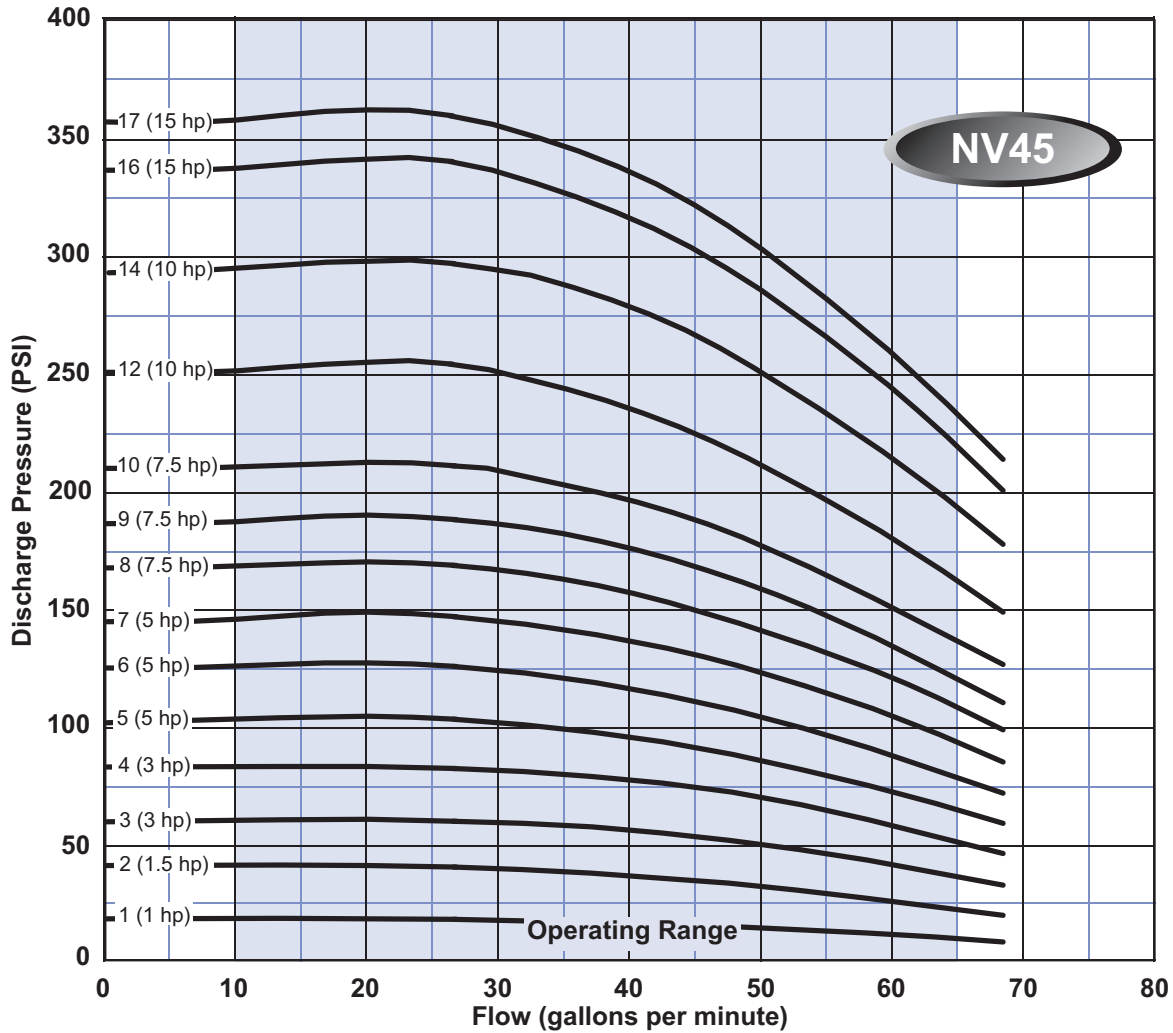
**NOTES:** All dimensions are in inches unless otherwise noted. Please contact factory for specific motor manufacturer dimensions

Model	HP	Motor Frame	Pump Length (PL) - Inches	Pump End Weight - lbs.
NV45B1	1	56C	14.96	60
NV45B2	1.5	56C	14.96	60
NV45B3	3	182TC	17.15	84
NV45B4	3	182TC	18.35	87
NV45B5	5	182TC	19.53	89
NV45B6	5	182TC	20.71	91
NV45B7	5	182TC	22.44	97
NV45B8	7.5	213TC	23.62	99
NV45B9	7.5	213TC	24.80	101
NV45B10	7.5	213TC	25.98	104
NV45B12	10	213TC	28.34	108
NV45B14	10	213TC	33.33	126
NV45B16	15	254TC	35.69	130
NV45B17	15	254TC	38.06	133



There when you need us most

## NV45 Vertical Multistage Pump Group Curves



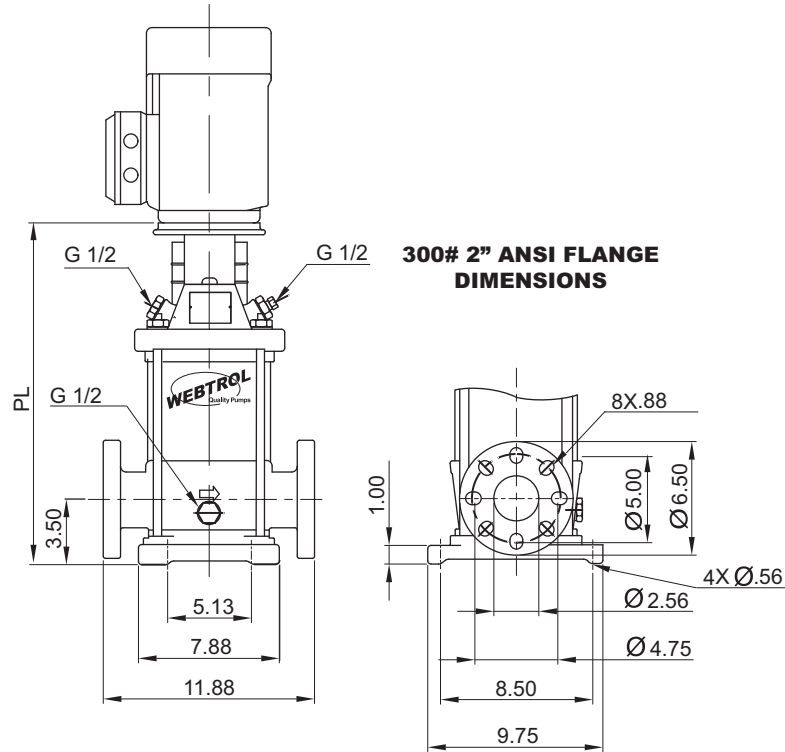
Note: Curves are based on 60 Hz 3450 rpm motors. 50 Hz 2875 rpm curves are available. These curves are for general guidance only, individual pump curves are available upon request. A certified curve may be requested for an additional cost. Webtrol will build pumps to fit your specific needs, contact factory for pricing.





There when you need us most

## NV65 Vertical Multistage Pump Dimensions



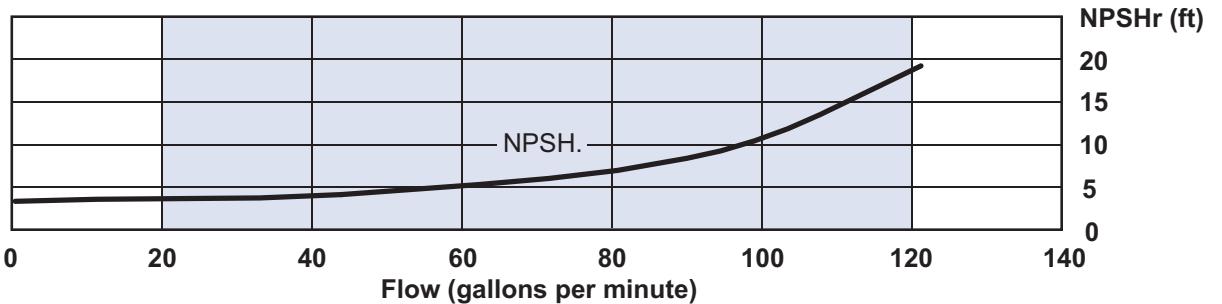
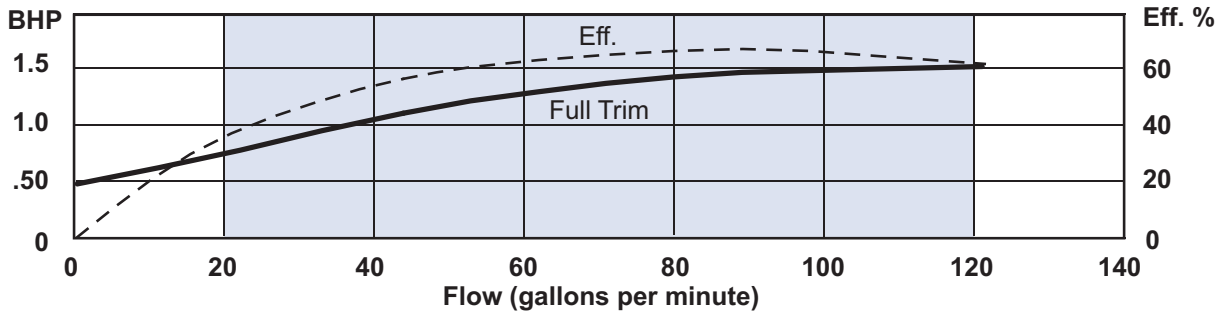
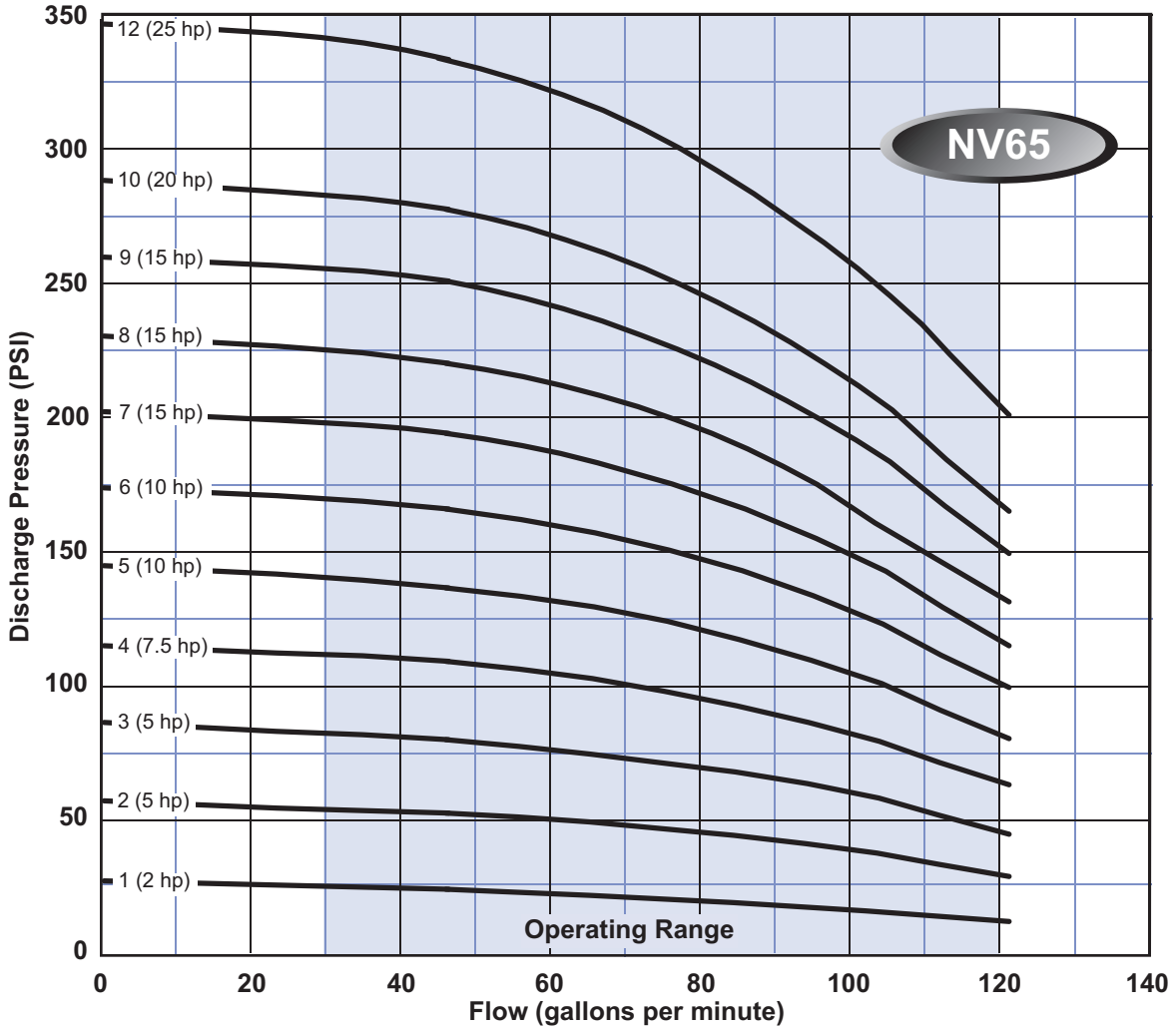
**NOTES:** All dimensions are in inches unless otherwise noted. Please contact factory for specific motor manufacturer dimensions

Model	HP	Motor Frame	Pump Length (PL) - Inches	Pump End Weight - lbs.
NV65B1	2	56C	16.10	62
NV65B2	5	182TC	17.13	84
NV65B3	5	182TC	19.49	91
NV65B4	7.5	213TC	21.22	94
NV65B5	10	213TC	22.99	97
NV65B6	10	213TC	27.39	114
NV65B7	15	254TC	29.16	117
NV65B8	15	254TC	30.93	120
NV65B9	15	254TC	32.70	123
NV65B10	20	254TC	34.47	126
NV65B12	25	284TSC	37.26	126



There when you need us most

## NV65 Vertical Multistage Pump Group Curves

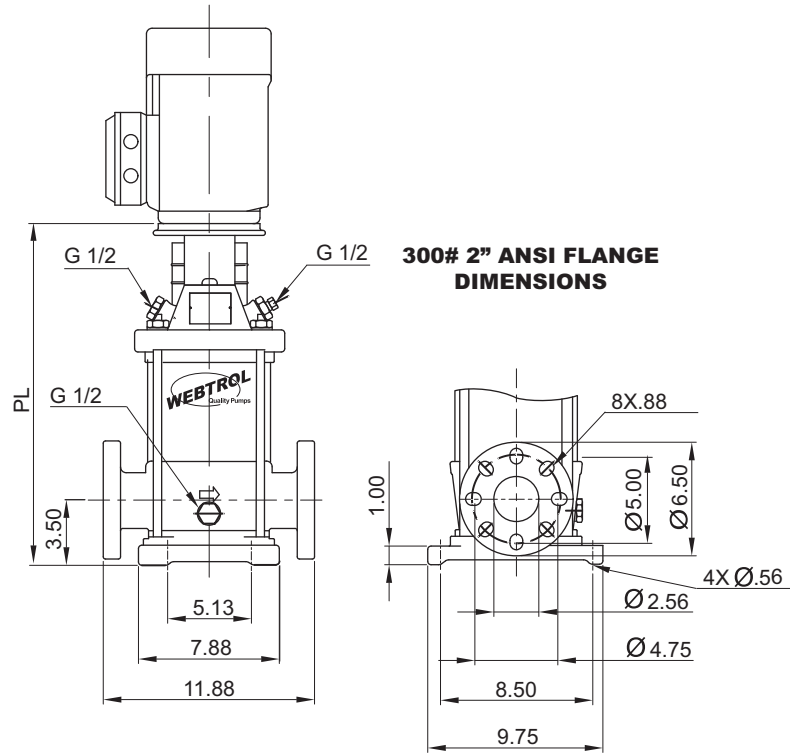


Note:  
Curves are based on 60 Hz 3450 rpm motors. 50 Hz 2875 rpm curves are available. These curves are for general guidance only, individual pump curves are available upon request. A certified curve may be requested for an additional cost. Webtrol will build pumps to fit your specific needs, contact factory for pricing.



There when you need us most

## NV85 Vertical Multistage Pump Dimensions



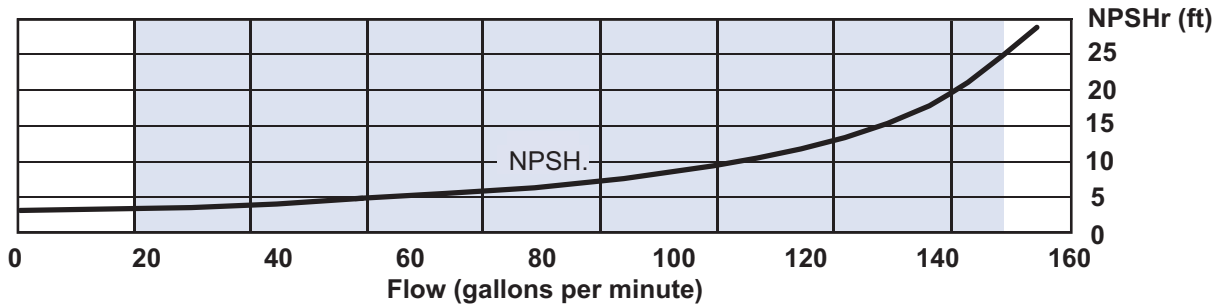
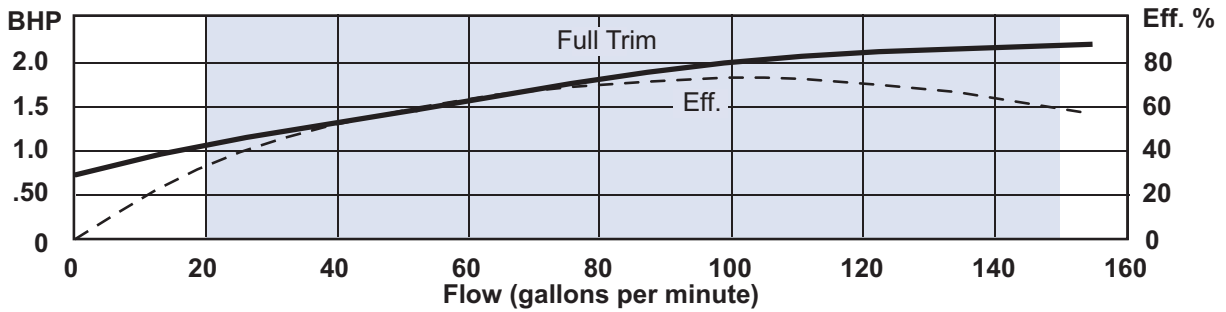
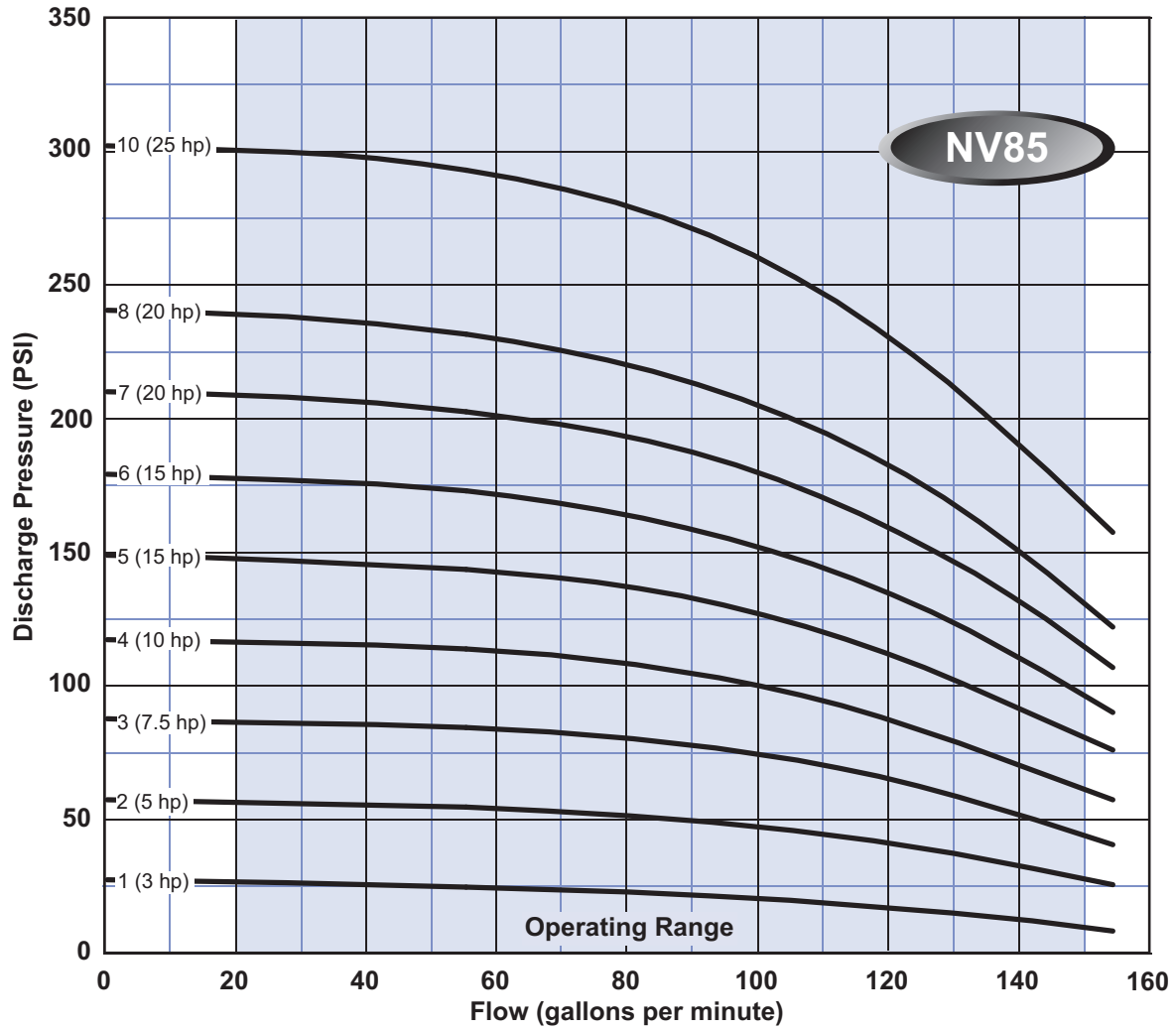
**NOTES:** All dimensions are in inches unless otherwise noted. Please contact factory for specific motor manufacturer dimensions

Model	HP	Motor Frame	Pump Length (PL) - Inches	Pump End Weight - lbs.
NV85B1	3	182TC	17.19	83
NV85B2	5	182TC	17.20	84
NV85B3	7.5	213TC	19.52	91
NV85B4	10	213TC	21.30	94
NV85B5	15	254TC	25.69	110
NV85B6	15	254TC	27.46	114
NV85B7	20	254TC	39.24	117
NV85B8	20	254TC	31.01	120
NV85B10	25	284TSC	33.80	120



There when you need us most

## NV85 Vertical Multistage Pump Group Curves

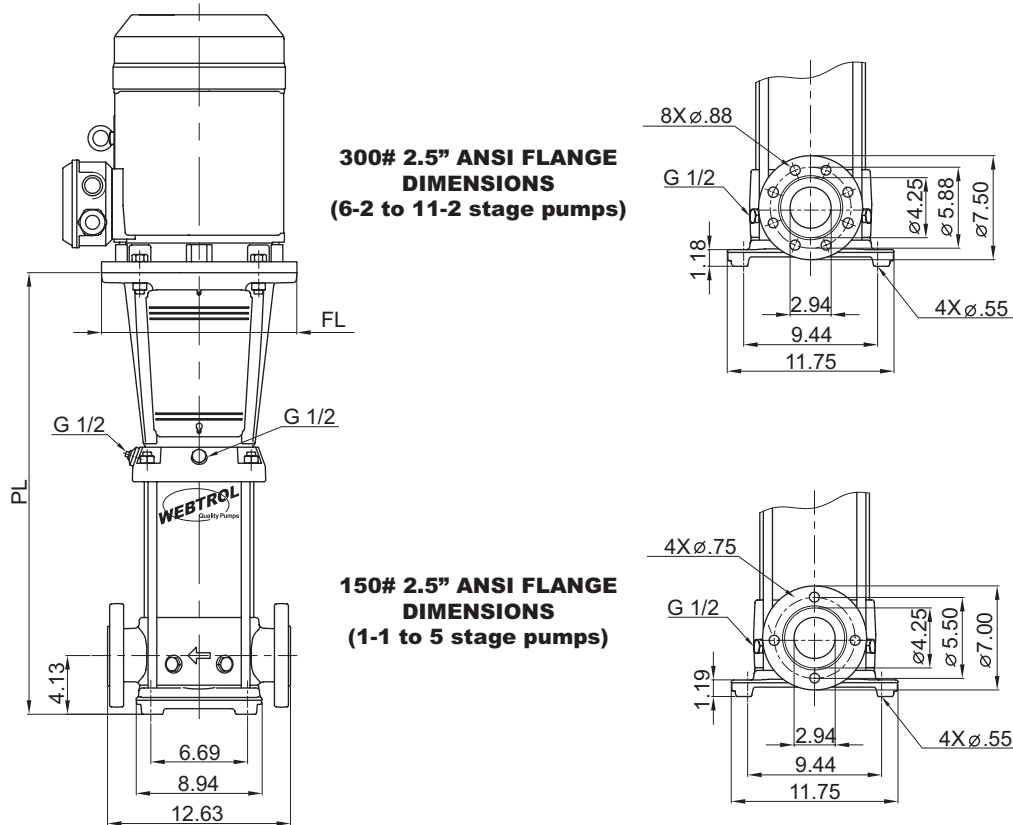


Note: Curves are based on 60 Hz 3450 rpm motors. 50 Hz 2875 rpm curves are available. These curves are for general guidance only, individual pump curves are available upon request. A certified curve may be requested for an additional cost. Webtrol will build pumps to fit your specific needs, contact factory for pricing.



There when you need us most

## NV120 Vertical Multistage Pump Dimensions



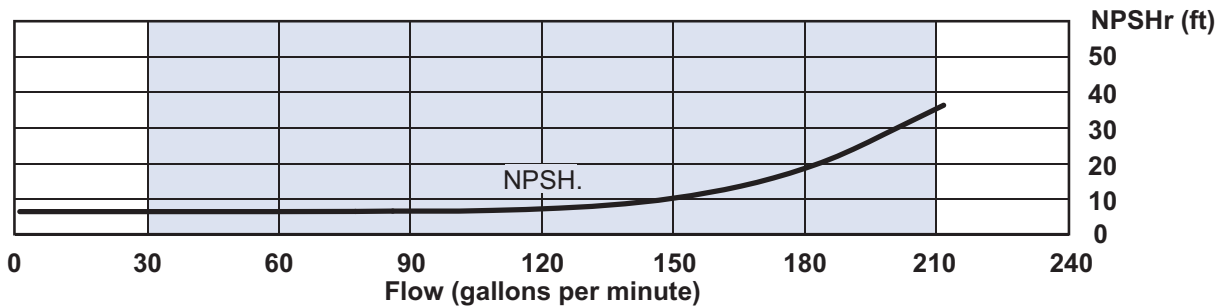
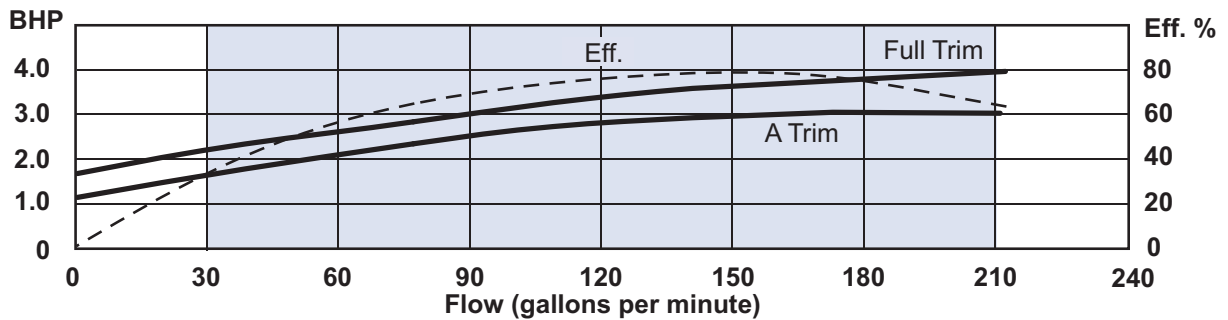
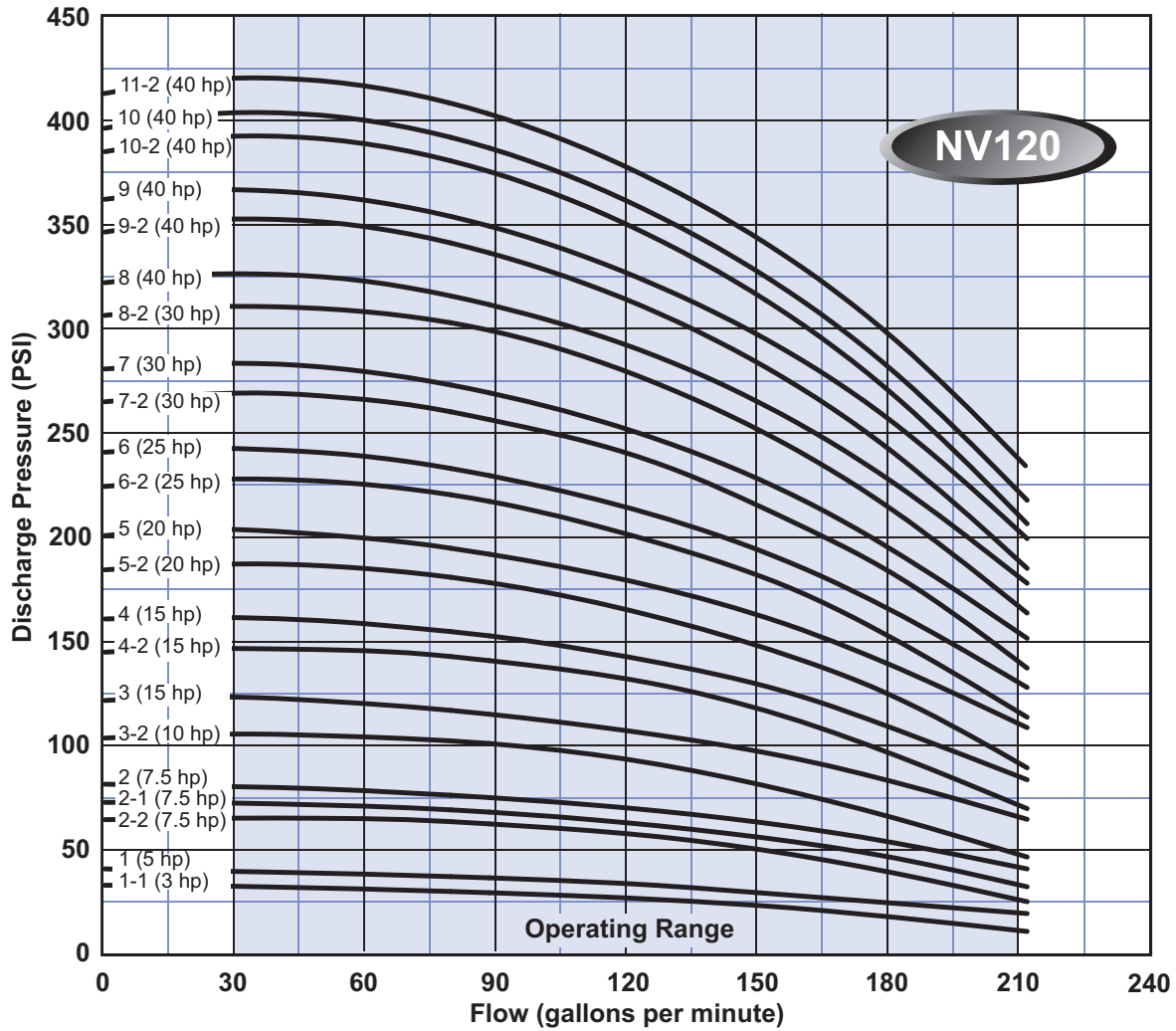
**NOTES:** All dimensions are in inches unless otherwise noted. Please contact factory for specific motor manufacturer dimensions

Model	HP	Motor Frame	Pump Length (PL) - Inches	Pump End Weight - lbs.
NV120B1-1	3	182TC	20.02	110
NV120B1	5	182TC	20.02	110
NV120B2-2	7.5	213TC	22.78	117
NV120B2-1	7.5	213TC	22.78	117
NV120B2	7.5	213TC	22.78	117
NV120B3-2	10	213TC	25.56	124
NV120B3	15	254TC	29.67	145
NV120B4-2	15	254TC	32.42	151
NV120B4	15	254TC	32.42	151
NV120B5-2	20	254TC	35.18	158
NV120B5	20	254TC	35.18	158
NV120B6-2	25	284TSC	37.93	167
NV120B6	25	284TSC	37.93	167
NV120B7-2	30	286TSC	40.69	174
NV120B7	30	286TSC	40.69	174
NV120B8-2	30	286TSC	43.44	181
NV120B8	40	286TSC	43.44	181
NV120B9-2	40	286TSC	46.20	186
NV120B9	40	286TSC	46.20	187
NV120B10-2	40	286TSC	48.96	192
NV120B10	40	286TSC	48.96	192
NV120B11-2	40	286TSC	51.71	198



There when you need us most

## NV120 Vertical Multistage Pump Group Curves

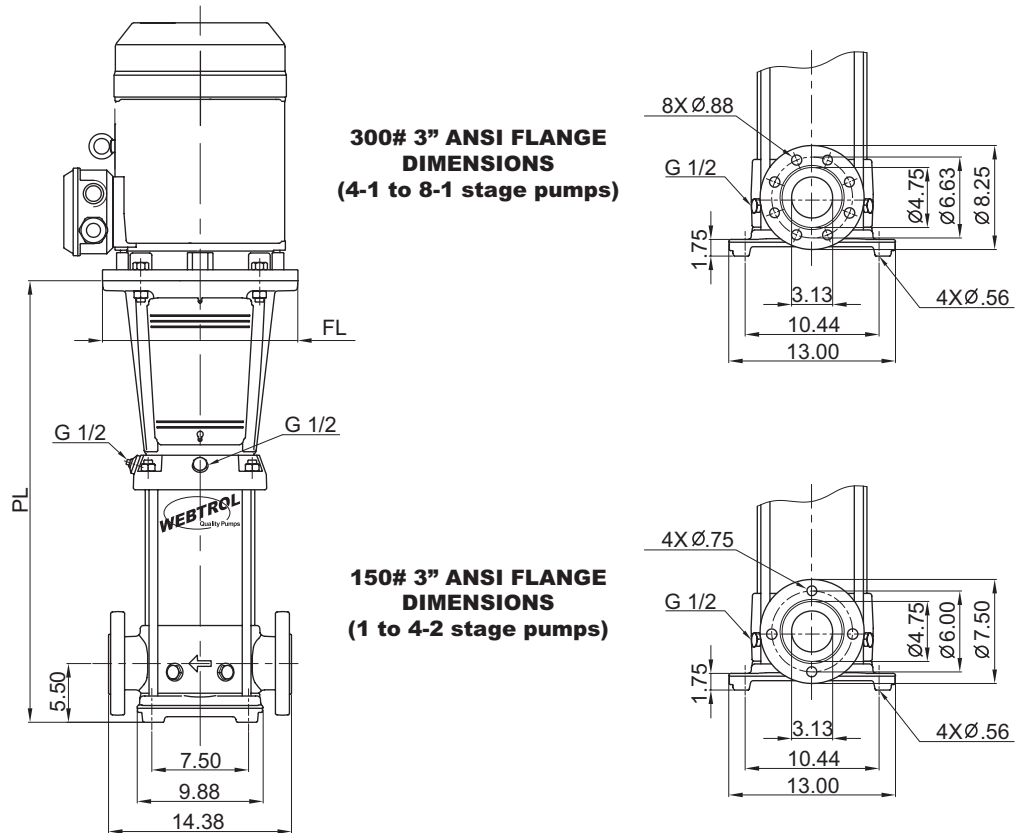


Note:  
Curves are based on 60 Hz 3450 rpm motors. 50 Hz 2875 rpm curves are available. These curves are for general guidance only, individual pump curves are available upon request. A certified curve may be requested for an additional cost. Webtrol will build pumps to fit your specific needs, contact factory for pricing.



There when you need us most

## NV180 Vertical Multistage Pump Dimensions



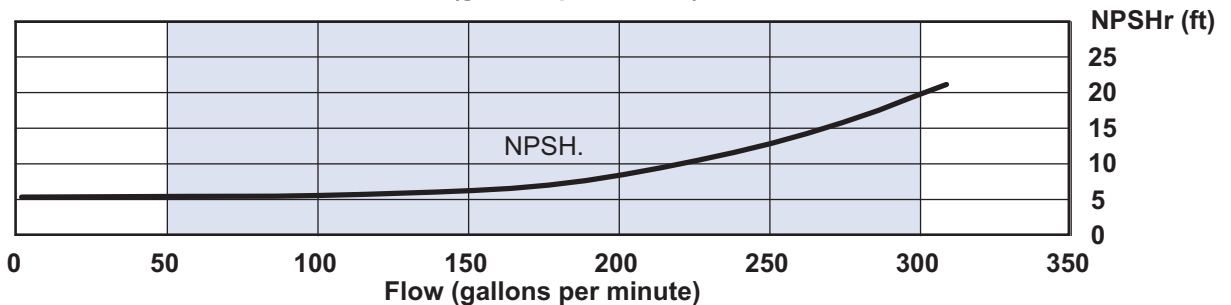
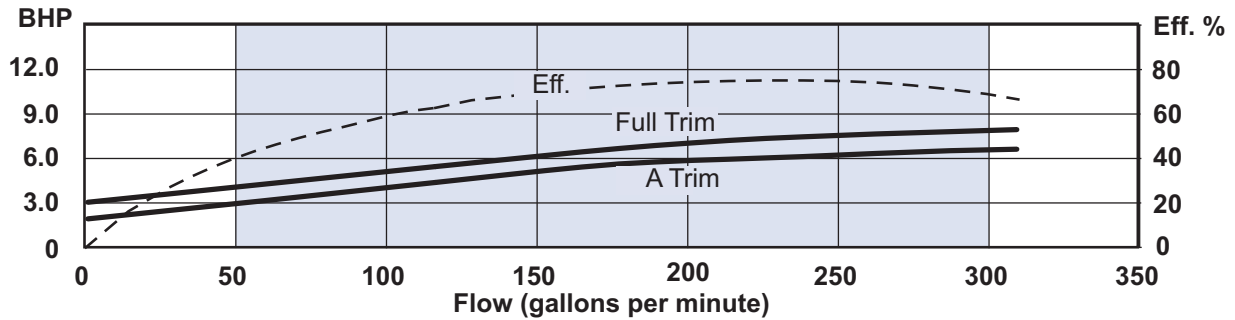
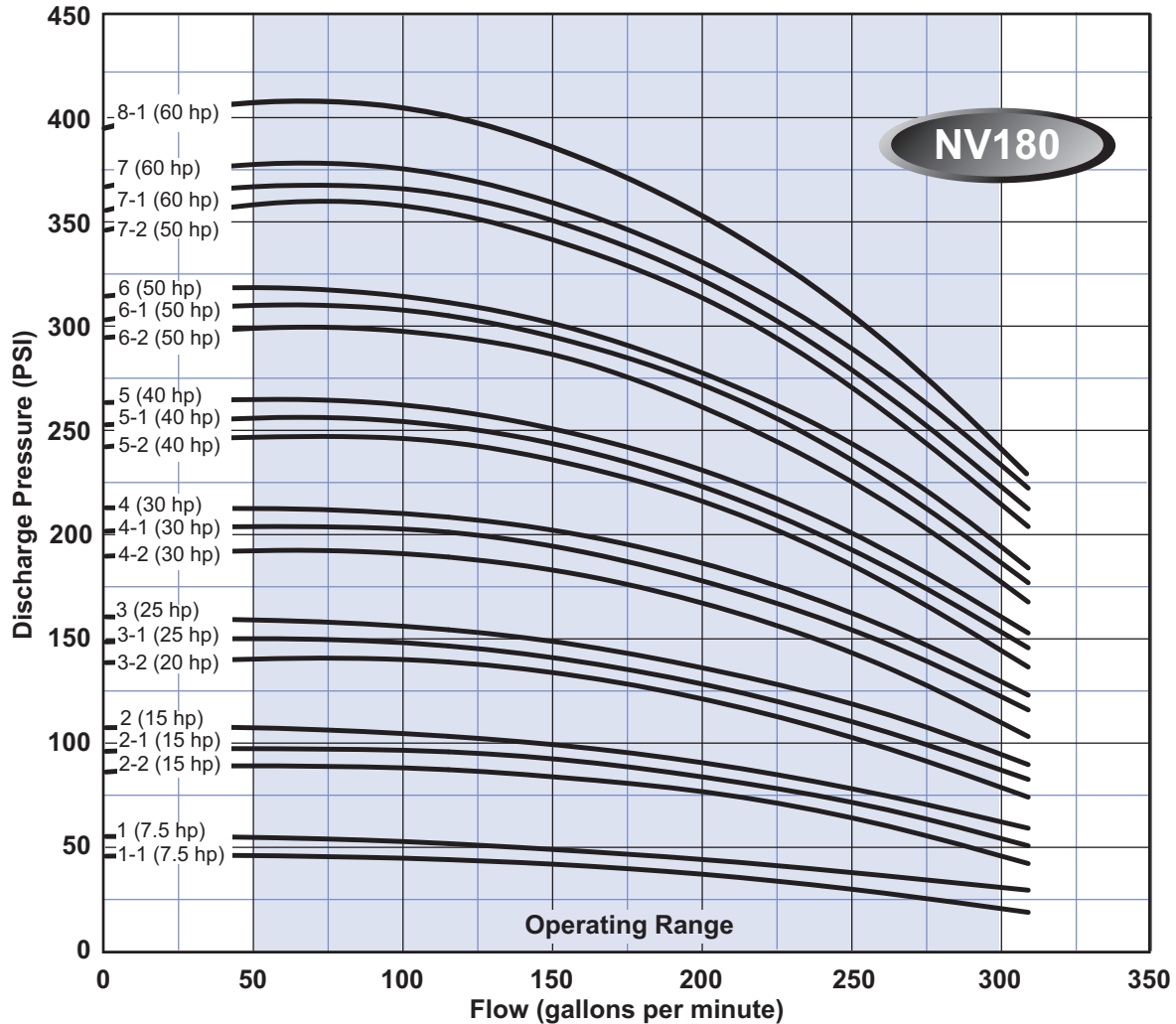
**NOTES:** All dimensions are in inches unless otherwise noted. Please contact factory for specific motor manufacturer dimensions

Model	HP	Motor Frame	Pump Length (PL) - Inches	Pump End Weight - lbs.
NV180B1-1	7.5	213TC	22.20	125
NV180B1	7.5	213TC	22.20	125
NV180B2-2	15	254TC	29.49	154
NV180B2-1	15	254TC	29.49	154
NV180B2	15	254TC	29.49	154
NV180B3-2	20	254TC	32.64	162
NV180B3-1	25	284TSC	32.64	165
NV180B3	25	284TSC	32.64	165
NV180B4-2	30	286TSC	35.79	173
NV180B4-1	30	286TSC	35.79	173
NV180B4	30	286TSC	35.79	173
NV180B5-2	40	286TSC	38.94	181
NV180B5-1	40	286TSC	38.94	181
NV180B5	40	286TSC	38.94	181
NV180B6-2	50	326TSC	42.09	206
NV180B6-1	50	326TSC	42.09	206
NV180B6	50	326TSC	42.09	206
NV180B7-2	50	326TSC	45.24	214
NV180B7-1	60	364TSC	45.24	214
NV180B7	60	364TSC	45.24	214
NV180B8-1	60	364TSC	48.39	221



There when you need us most

## NV180 Vertical Multistage Pump Group Curves



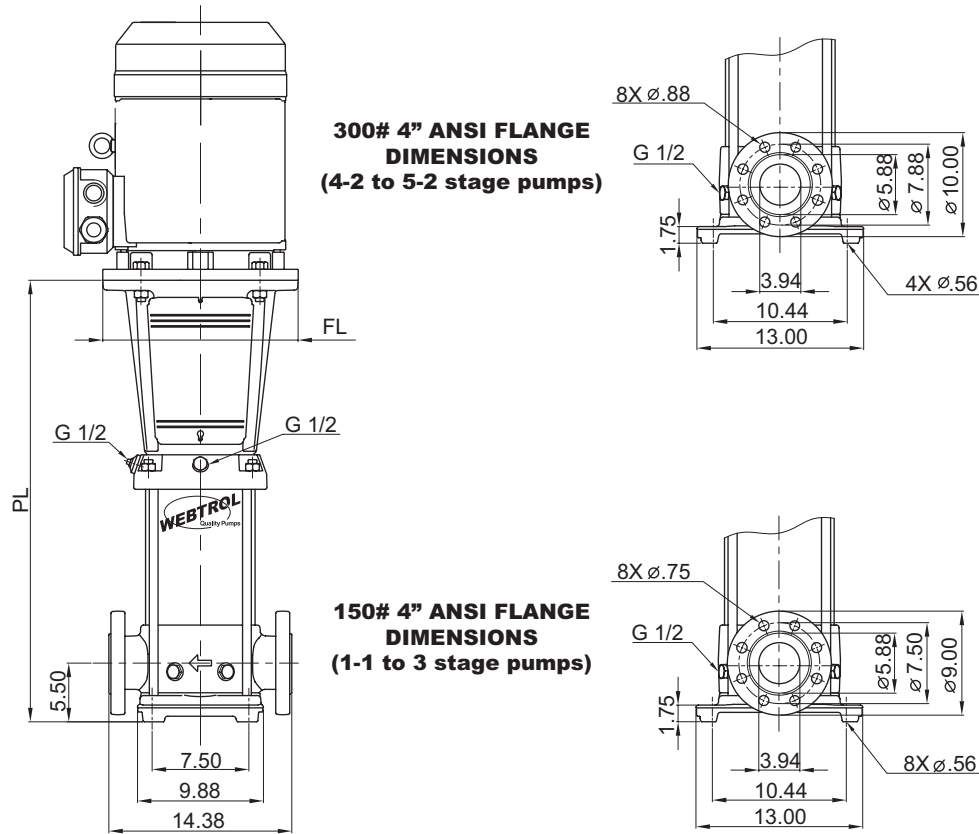
Note:  
Curves are based on 60 Hz 3450 rpm motors. 50 Hz 2875 rpm curves are available. These curves are for general guidance only, individual pump curves are available upon request. A certified curve may be requested for an additional cost. Webtrol will build pumps to fit your specific needs, contact factory for pricing.





There when you need us most

## NV280 Vertical Multistage Pump Dimensions



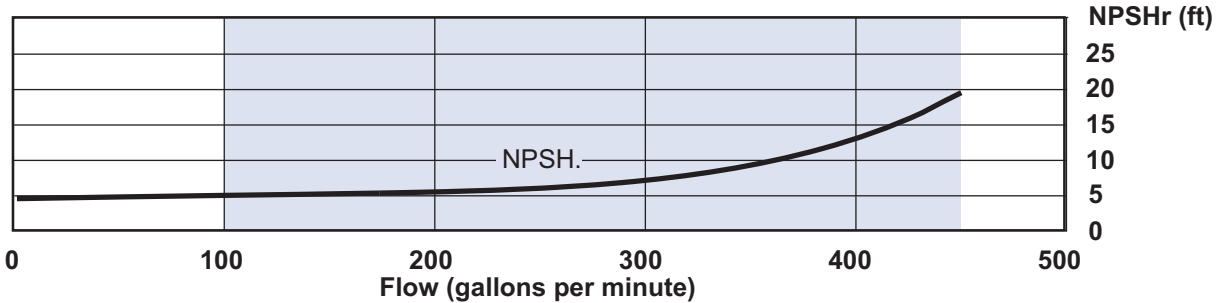
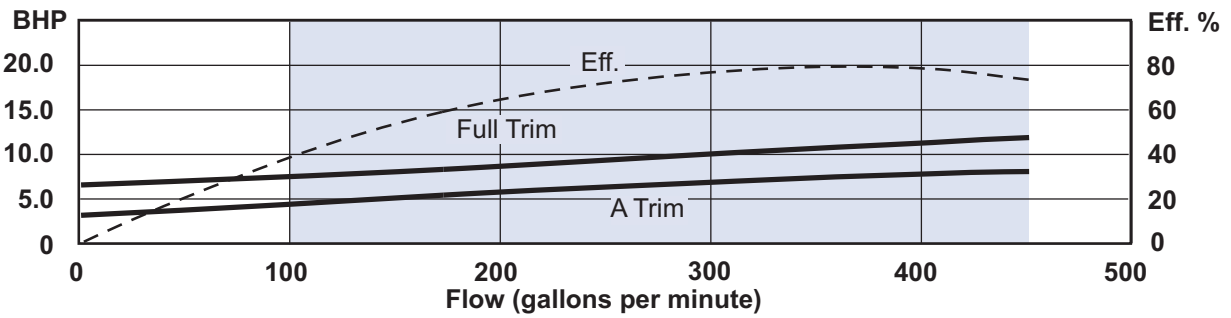
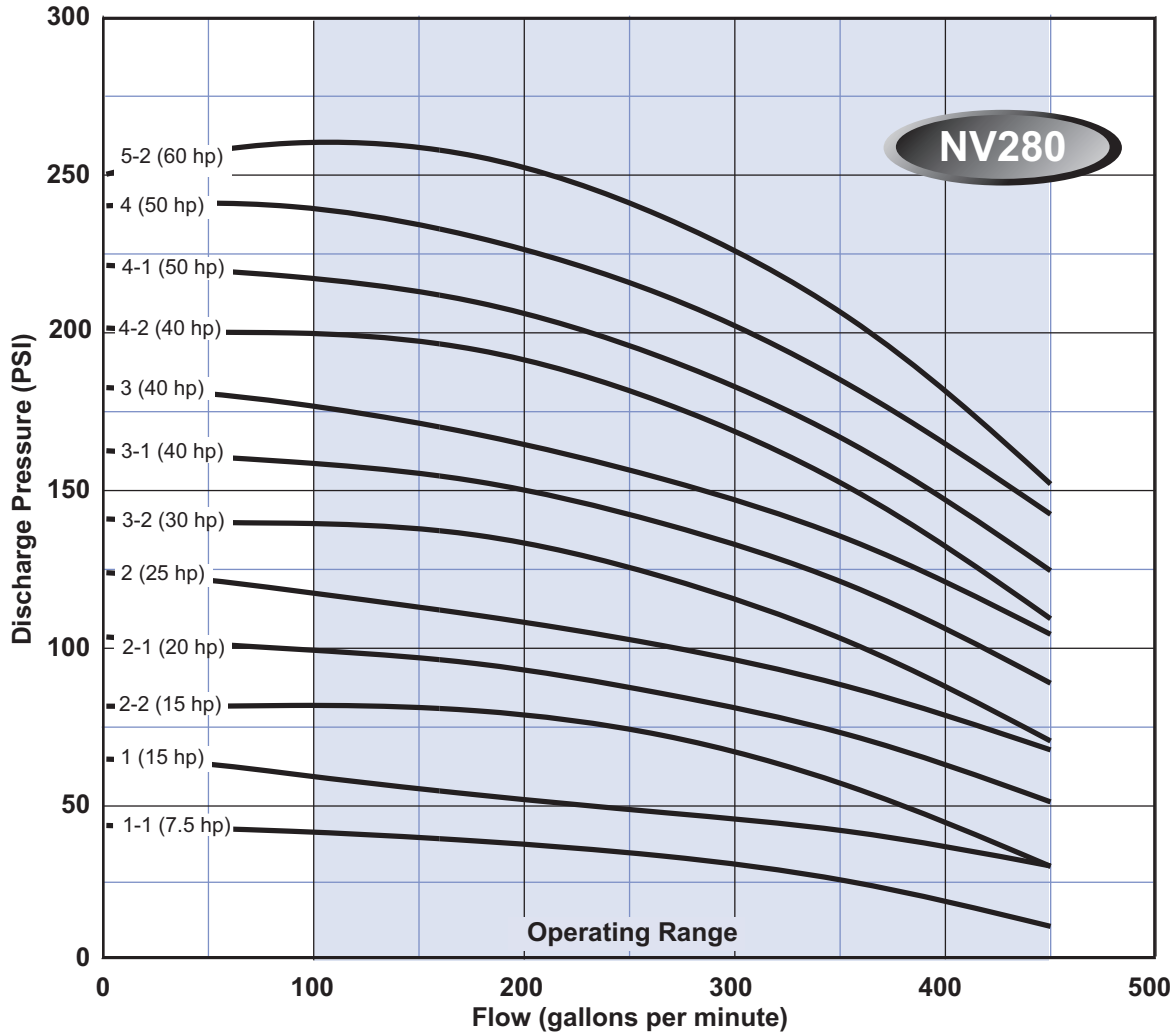
**NOTES:** All dimensions are in inches unless otherwise noted. Please contact factory for specific motor manufacturer dimensions

Model	HP	Motor Frame	Pump Length (PL) - Inches	Pump End Weight - lbs.
NV280B1-1	7.5	213TC	22.36	116
NV280B1	15	254TC	26.50	137
NV280B2-2	15	254TC	29.74	145
NV280B2-1	20	254TC	29.74	145
NV280B2	25	284TSC	29.74	148
NV280B3-2	30	286TSC	32.99	156
NV280B3-1	40	286TSC	32.99	156
NV280B3	40	286TSC	32.99	156
NV280B4-2	40	286TSC	36.24	164
NV280B4-1	50	326TSC	36.24	182
NV280B4	50	326TSC	36.24	182
NV280B5-2	60	364TSC	39.49	182



There when you need us most

## NV280 Vertical Multistage Pump Group Curves

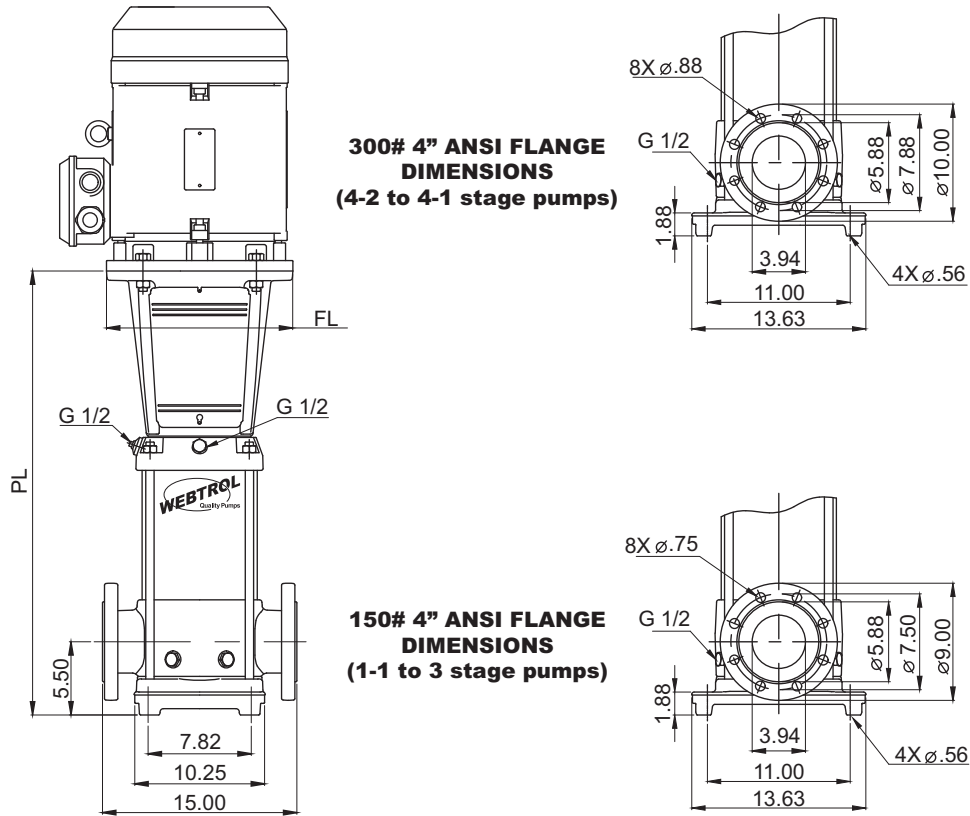


Note:  
Curves are based on 60 Hz 3450 rpm motors. 50 Hz 2875 rpm curves are available. These curves are for general guidance only, individual pump curves are available upon request. A certified curve may be requested for an additional cost. Webtrol will build pumps to fit your specific needs, contact factory for pricing.



There when you need us most

## NV400 Vertical Multistage Pump Dimensions



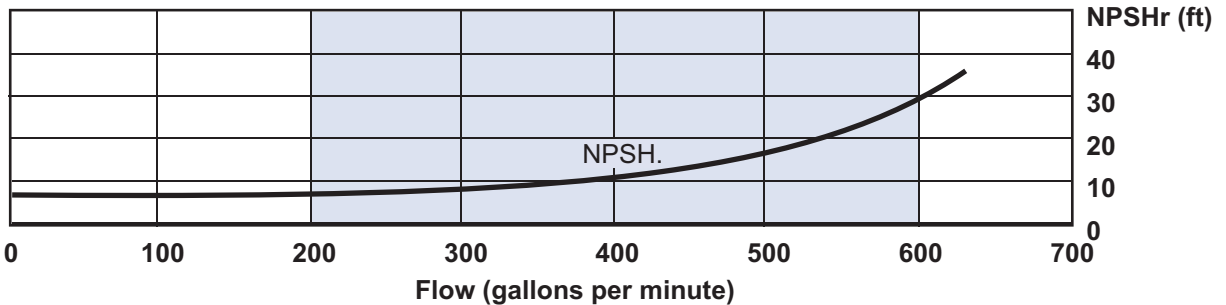
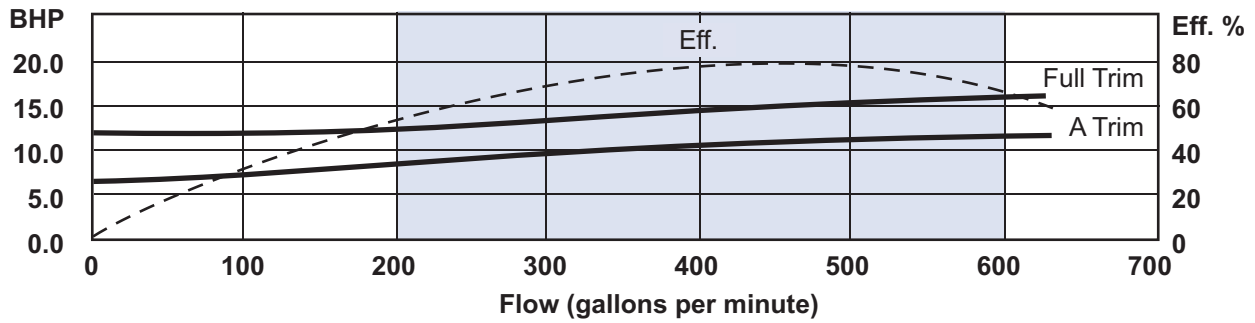
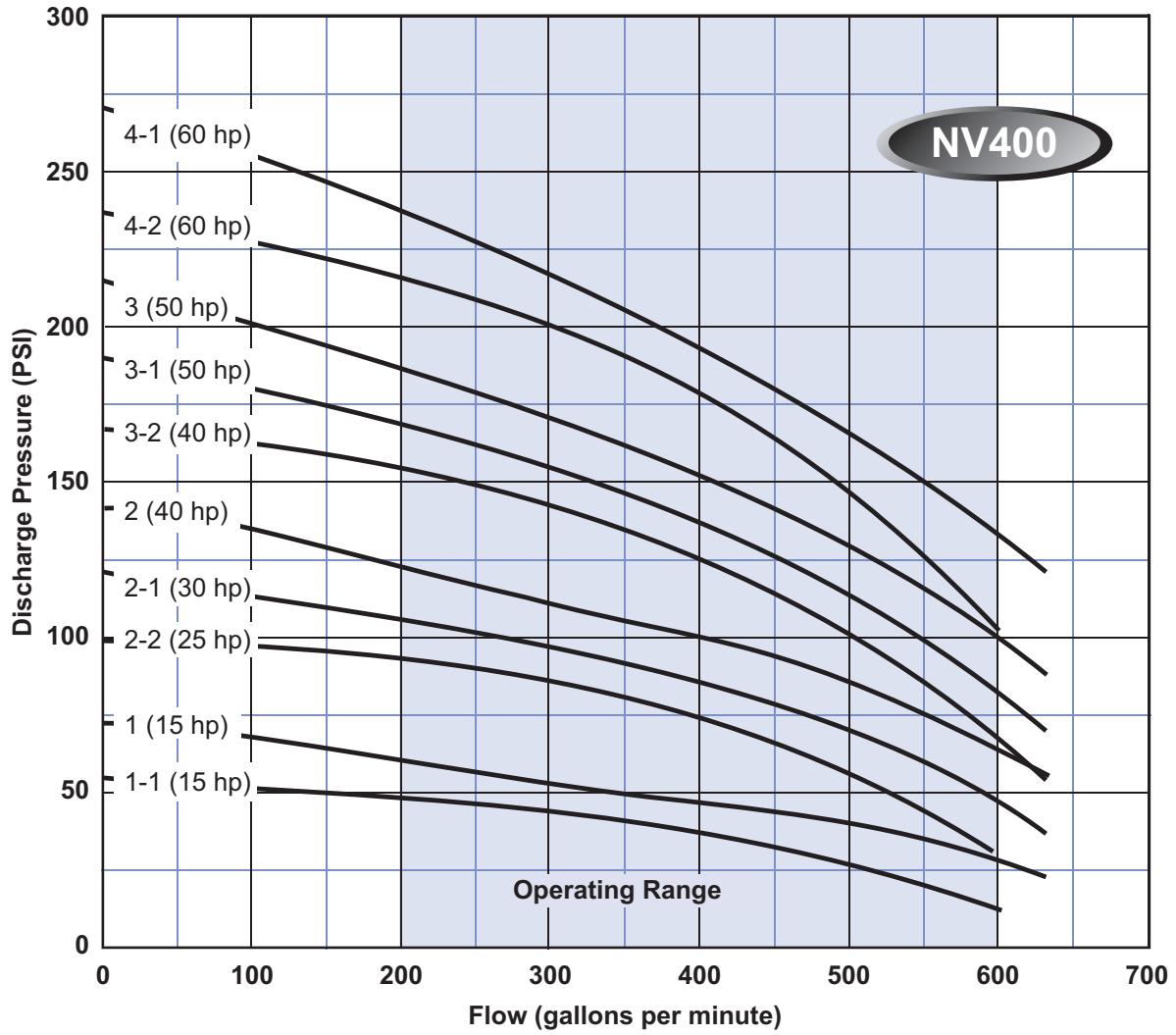
**NOTES:** All dimensions are in inches unless otherwise noted. Please contact factory for specific motor manufacturer dimensions

Model	HP	Motor Frame	Pump Length (PL) - Inches	Pump End Weight - lbs.
NV400B1-1	15	254TC	26.75	160
NV400B1	15	254TC	26.75	160
NV400B2-2	25	284TSC	30.34	173
NV400B2-1	30	286TSC	30.34	173
NV400B2	40	286TSC	30.34	173
NV400B3-2	40	286TSC	33.93	184
NV400B3-1	50	326TSC	33.93	202
NV400B3	50	326TSC	33.93	202
NV400B4-2	60	364TSC	37.36	217
NV400B4-1	60	364TSC	37.36	217



There when you need us most

## NV400 Vertical Multistage Pump Group Curves



Note:  
 Curves are based on 60 Hz 3450 rpm motors. 50 Hz 2875 rpm curves are available. These curves are for general guidance only, individual pump curves are available upon request. A certified curve may be requested for an additional cost. Webtrol will build pumps to fit your specific needs, contact factory for pricing.