



ECONOMICAL,
LOW-PRESSURE ULTRAVIOLET

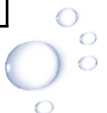


○ With Aquionics STREAMLINE systems you receive all □ the benefits of our ultraviolet technology at the most economical prices. These standard low-pressure systems offer stainless steel construction, the highest quality low-pressure lamps, and a basic control package. With STREAMLINE, you □ can take advantage of the major benefits of UV disinfection □ without going over budget.

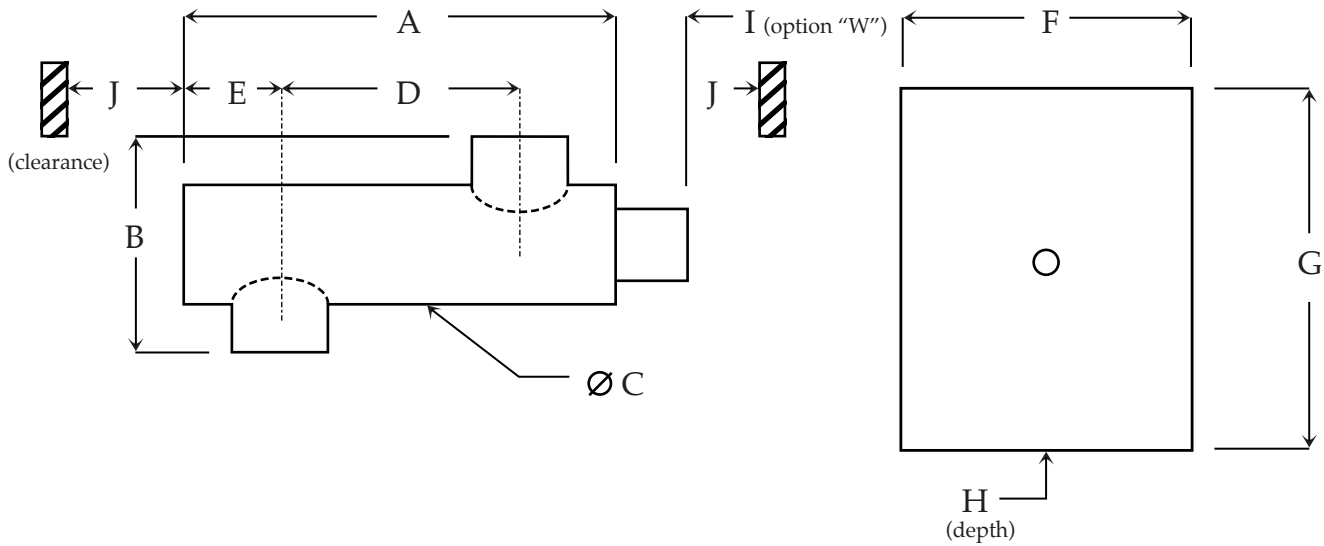
- The lowest priced UV systems for disinfection.
- Our highest quality, low-pressure lamps.
- Non-chemical disinfection for flow rates ranging from less □ than 1 gpm to 360 gpm.
- Durable systems with 316L stainless steel construction and sanitary □ Triclamp fittings can be installed in almost any situation.
- Available with our new 160 Watt high-output, low-pressure technology.
- Available features include: UV monitor, system on/off, hour meter, □ quartz sleeve cleaning mechanism, and mounting brackets.

○ GENERAL SPECIFICATIONS

| | | | |
|-----------------------------------|----------------------|-------------------------------|--|
| Chamber Material | 316L Stainless Steel | Power Cabinet Material | Polycarbonate |
| Environmental Protection | NEMA 12 | Electrical Supply | 220V, 60Hz, Single Phase |
| Max. Pressure, Operational | 100 psi | Standard Features | Hour Meter & Lamp Indicator |
| Max. Pressure, Test | 150 psi | Optional Features | UV Monitor with Low UV Alarm Quartz Sleeve Cleaning Device Chamber Mounting Brackets |
| Max. Pressure Drop | <1 psi at full flow | | |
| Fitting Type | Sanitary | | |



STREAMLINE



PRODUCT SPECIFICATIONS

| Model Number | Max. Flow, Fresh Water* (gpm) | Max. Flow, RO/DI Water* (gpm) | Fitting Size (inch) | UV Lamps (qty. – power) | Power Supply (watts) | Chamber Empty (pounds) | Chamber Full (pounds) | Cabinet (pounds) |
|--------------|-------------------------------|-------------------------------|---------------------|-------------------------|----------------------|------------------------|-----------------------|------------------|
| SL-5K | 18 | 20 | 2 | 1 – 42W | 60 | 27 | 44 | 5 |
| SL-10K | 36 | 40 | 2 | 1 – 80W | 100 | 27 | 44 | 5 |
| SL-24K | 75 | 90 | 3 | 1 – 80W | 100 | 77 | 132 | 5 |
| SL-40K | 120 | 140 | 3 | 2 – 80W | 200 | 77 | 132 | 5 |
| SL-60K | 150 | 180 | 3 | 3 – 80W | 300 | 77 | 132 | 5 |
| SL-80K | 200 | 235 | 3 | 2 – 160W | 400 | 77 | 132 | 9 |
| SL-100K | 310 | 360 | 3 | 3 – 160W | 600 | 77 | 132 | 9 |

* Flows rated at disinfection dose of 30mJ/cm², end-of-lamp life at 8,000 hours; Fresh Water @ T40 = 80%, RO/DI Water @ T40 = 95%.

| Model Number | A | B | C | D | E | F | G | H | I | J |
|--------------|------------------------|------|-----|------|------|------|------|-----|-----|----|
| | (dimensions in inches) | | | | | | | | | |
| SL-5K | 43.9 | 9.1 | 4.5 | 28.1 | 11.7 | 10.0 | 7.1 | 4.3 | – | 46 |
| SL-10K | 43.9 | 9.1 | 4.5 | 28.1 | 11.7 | 10.0 | 7.1 | 4.3 | – | 46 |
| SL-24K | 45.5 | 13.4 | 7.9 | 25.6 | 15.2 | 10.0 | 14.2 | 6.5 | 4.1 | 40 |
| SL-40K | 45.5 | 13.4 | 7.9 | 25.6 | 15.2 | 10.0 | 14.2 | 6.5 | 4.1 | 40 |
| SL-60K | 45.5 | 13.4 | 7.9 | 25.6 | 15.2 | 10.0 | 14.2 | 6.5 | 4.1 | 40 |
| SL-80K | 45.5 | 13.4 | 7.9 | 25.6 | 15.2 | 15.7 | 14.2 | 5.9 | 4.1 | 40 |
| SL-100K | 45.5 | 13.4 | 7.9 | 25.6 | 15.2 | 15.7 | 14.2 | 5.9 | 4.1 | 40 |

AVAILABLE OPTIONS

| Option Code | Description |
|-------------|--|
| U | UV Monitor with Low UV Alarm, measures relative UV lamp intensity |
| W | Quartz Sleeve Cleaning Device for poor water quality conditions, manually operated |
| M | Chamber Mounting Brackets for easy attachment to skids and supports |

Note: See Products & Services Section for additional parts, installation, service, and options.