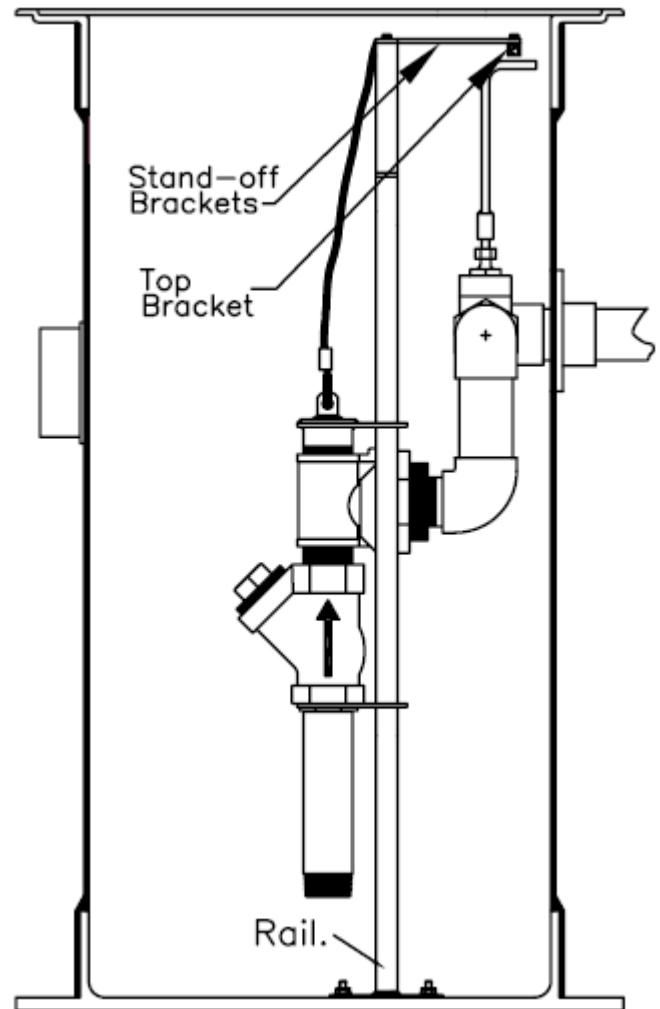


Universal Rail Package

1. Install rail over studs in basin bottom and secure with 1/2" washers, lock washers and nuts supplied.
2. Level rails to ensure smooth operation.
3. Secure top bracket to basin walls with 1/4" nuts and bolts supplied.
4. Install top rail stand-off brackets from top of rail to top bracket. Secure with 1/4" nuts and bolts supplied.
5. Drill or cut a hole in basin side for discharge piping. Refer to hub for correct hole size.
6. Plumb discharge with parts supplied. Plumb as required for your operation.
7. Pull disconnect from basin using cable.
8. Use Teflon tape or pipe sealer on end of pipe.
9. Screw pipe into pump until tight and facing correct direction.
10. Slide disconnect and pump onto rails and lower into basin until engaging disconnect.
11. Have an electrician wire pump (s).



NOTE: Please refer to your state and/or local construction, plumbing or onsite wastewater treatment and disposal regulations for details pertaining to your systems design, installation and maintenance requirements.