



Two Standard Sizes: Stainless Steel Construction:

	50-GPM Skids	100-GPM Skids
TYPE OF MEDIA:	Zirconium Hydroxide adsorption media cartridges	Zirconium Hydroxide adsorption media cartridges
No. of Media Cartridges (Replaceable)	10 (Five per vessel)	20 (Five per vessel)
Number of Vessels per Skid	2	4
Vessel Construction	150 psi, 304 Stainless Steel	150 psi, 304 Stainless Steel
Cartridge Size	4.5" OD x 42" L	4.5" OD x 42" L
Cartridge Weight	21 lbs. (dry)	21 lbs. (dry)
System Shipping Weight	675 lbs	1,200 lbs
Inlet/Outlet Connection	2" Flange	2.5" Flange
Footprint	64" L x 18" D x 75" H	58" L x 39" D x 75" H

ISOLUX® Arsenic Removal

ISOLUX® is the clear choice for small water systems up to 500 gpm, such as rural utilities, shopping centers, schools, hotels and casinos, RV parks and multi-user wells. Our systems are built rugged for reliability and convenience with easy to load cartridges in stainless steel housings.

The ISOLUX® Zirconium adsorption media forms a non-leachable arsenic bond removing both ASIII and AsV simultaneously from 99% to non-detect levels.

A parallel valve configuration is standard, with options available for lead/lag.



Other ISOLUX systems available in 5/10/15 and 25-GPM.

50 / 100 GPM Arsenic Removal System Skids

SMALL FOOTPRINTS
NO BACKWASHING
SUPERIOR PERFORMANCE



For a quote or additional information contact:

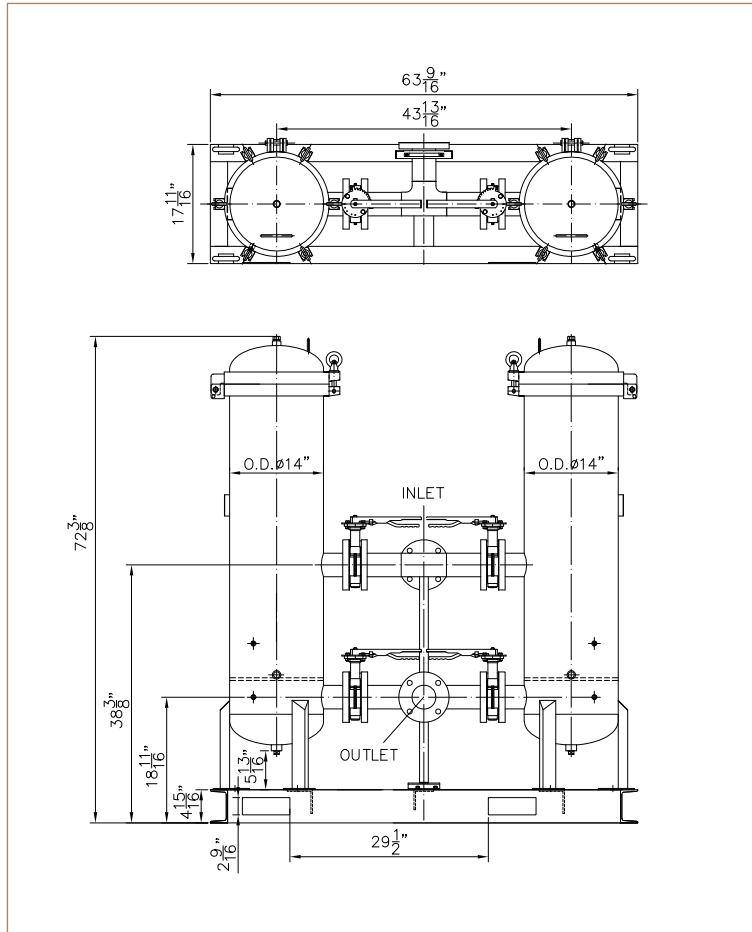
9332 N. 95th Way, Suite B-106
Scottsdale, AZ 85258
(480) 315-8430
sales@isolux-arsenicremoval.com
www.isolux-arsenicremoval.com

The Choice is Clear.
ISOLUX®
Arsenic Removal Systems

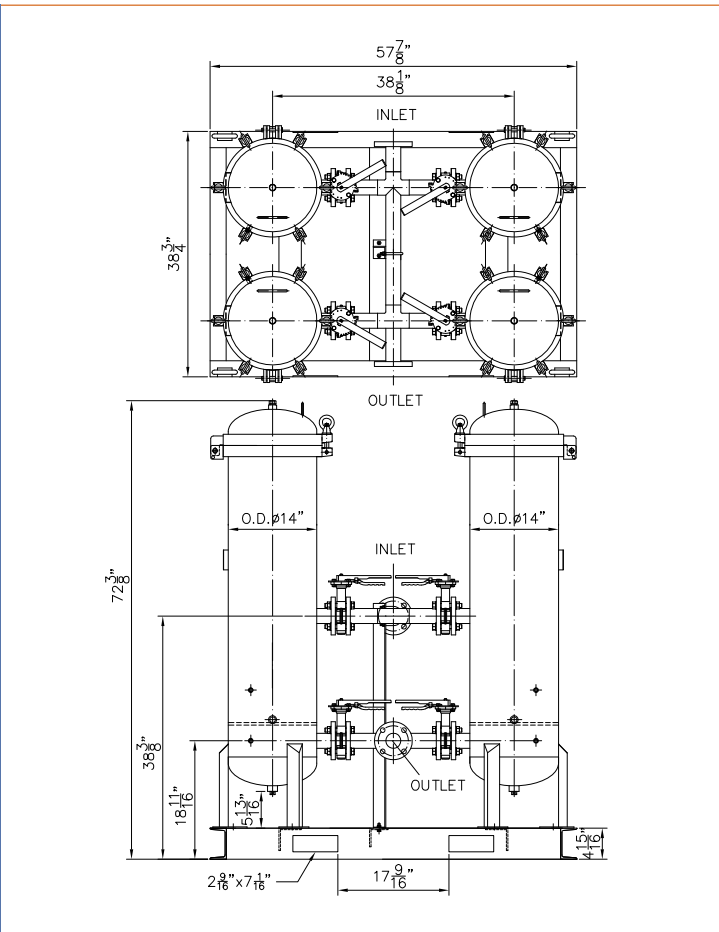
The Choice is Clear.
ISOLUX®
Arsenic Removal Systems

50 GPM SKIDS

50/100 GPM HOUSING SKIDS ARE STANDARD ISOLUX® PRODUCTS AND CARRIED IN STOCK IN OUR ARIZONA WAREHOUSE FOR QUICK AVAILABILITY!



100 GPM SKIDS



**USEPA TCLP tested as non-hazardous waste safe for landfill, but due to variances in influent water quality, users are urged to perform independent verification of the non-hazardous character of spent media cartridges. Additionally, some states may have disposal criteria different from Federal guidelines (TCLP)*

Zirconium Media Cartridges

All ISOLUX® filter cartridges contain a patented Zirconium adsorption powder media designed specifically for arsenic removal.

Zirconium forms an immediate, non-leachable arsenic bond that removes both Arsenic III and V simultaneously, dependably delivering a 99% to non-detect removal performance.

All cartridges are fully sealed avoiding any contact with messy media. Zirconium is non-toxic. It is NSF 61 certified and routinely passes the USEPA TLCP test as non-hazardous waste safe for landfill.* No Hazmat disposal!

Quality Construction

ISOLUX® Arsenic removal System Skids are constructed of NSF compliant 304 stainless steel. 316 stainless steel is an available option where required. You can count on years of trouble-free performance from ISOLUX® skids.

Small Footprints

With no backwash and unmatched media residence time (27 seconds versus 3 to 5 minutes), ISOLUX® doesn't require large media storage tanks like other arsenic removal systems. 50 gpm footprints are roughly 5 ft. long by 1 1/2 ft. deep, and the 100 gpm units are only 5 ft long by 3 ft deep.

Lowest CAPEX & OPEX in the Industry

Standard ISOLUX® 50 and 100 GPM skids can be as much as one half less than the capital cost of other similarly sized competitive systems.

Secondly, they are predesigned for reduced upfront engineering expense. With inlet/outlet flange connections installation is fast and simple. Onsite mechanical and plumbing work is minimal. In many cases there is no electrical service required and no need to hook up to a sewer. Operating costs are low too!



Designed for use with ISOLUX® low maintenance, easy to use cartridges.



Maintenance is simple

There is no need for backwashing. No hazardous wastewater or spent media to dispose of, just a periodic, one-man cartridge replacement. The multi-vessel skid configuration allows continuous operation during cartridge change-out. No maintenance downtime!