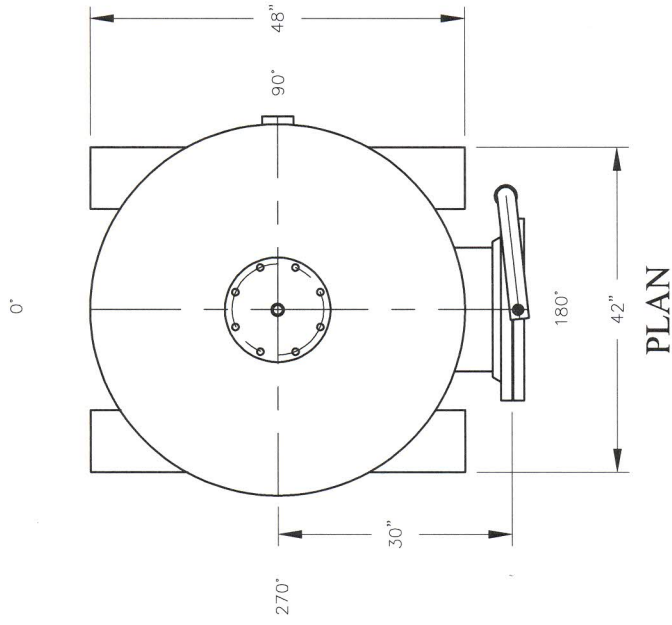


ELEVATION



PLAN

3,000 bbl/day OilSorb-SM Treatment Vessel

VESSEL STANDARDS

VESSEL MATERIALS :	CARBON STEEL OR SS
LINING :	PHENOLIC OR SS
EXTERIOR PAINT :	EPOXY BASE / URETHANE TOP OR SS
HEAD THICKNESS :	3/16"
SHELL THICKNESS :	3/16"
INTERALS :	PVC
	VESEL ACCESS : 16" BOLTED MANWAY W/ DAVIT
	LIQUID DRAIN ASSEMBLY : 3/4" NPT
	VOLUME OF VESSEL : 76 FT ³
	SHIP WT. EMPTY : 2000 LBS
	MAX. OPERATING PRESSURE : 75 PSI
	MAX. OPERATING TEMPERATURE : 130°F

OilSorb-SM



PLAN & ELEVATION

PROJECT	NO.	REVISION	BY	DATE
PROJ. NO.	SALES			
P.O. NO.				
THIS DRAWING AND DESIGN ARE THE PROPERTY OF APPLIED PROCESS EQUIPMENT. NO PART OF THIS DRAWING OR DESIGN IS TO BE REPRODUCED OR TRANSMITTED IN ANY FORM OR BY ANY MEANS, ELECTRONIC OR MECHANICAL, INCLUDING PHOTOCOPYING, RECORDING, OR BY ANY INFORMATION STORAGE AND RETRIEVAL SYSTEM, WITHOUT THE WRITTEN PERMISSION OF APPLIED PROCESS EQUIPMENT.				
DRAWN BY	JIM	DESIGN BY	SFP	
CHKD. BY	RWS	DATE	5/10/14	
SCALE	NTS	DWG. NO.	52746	REV. 0